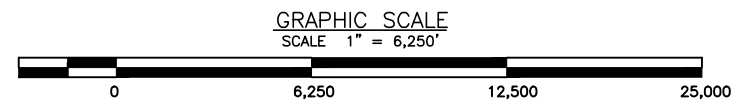


- LEGEND:**
- DENOTES TRANSMISSION LINE
 - DENOTES STRUCTURE NUMBER
 - DENOTES ROAD
 - DENOTES WATER
 - DENOTES RIVERS & STREAMS
 - DENOTES COUNTY LINES
 - DENOTES STATE LINE



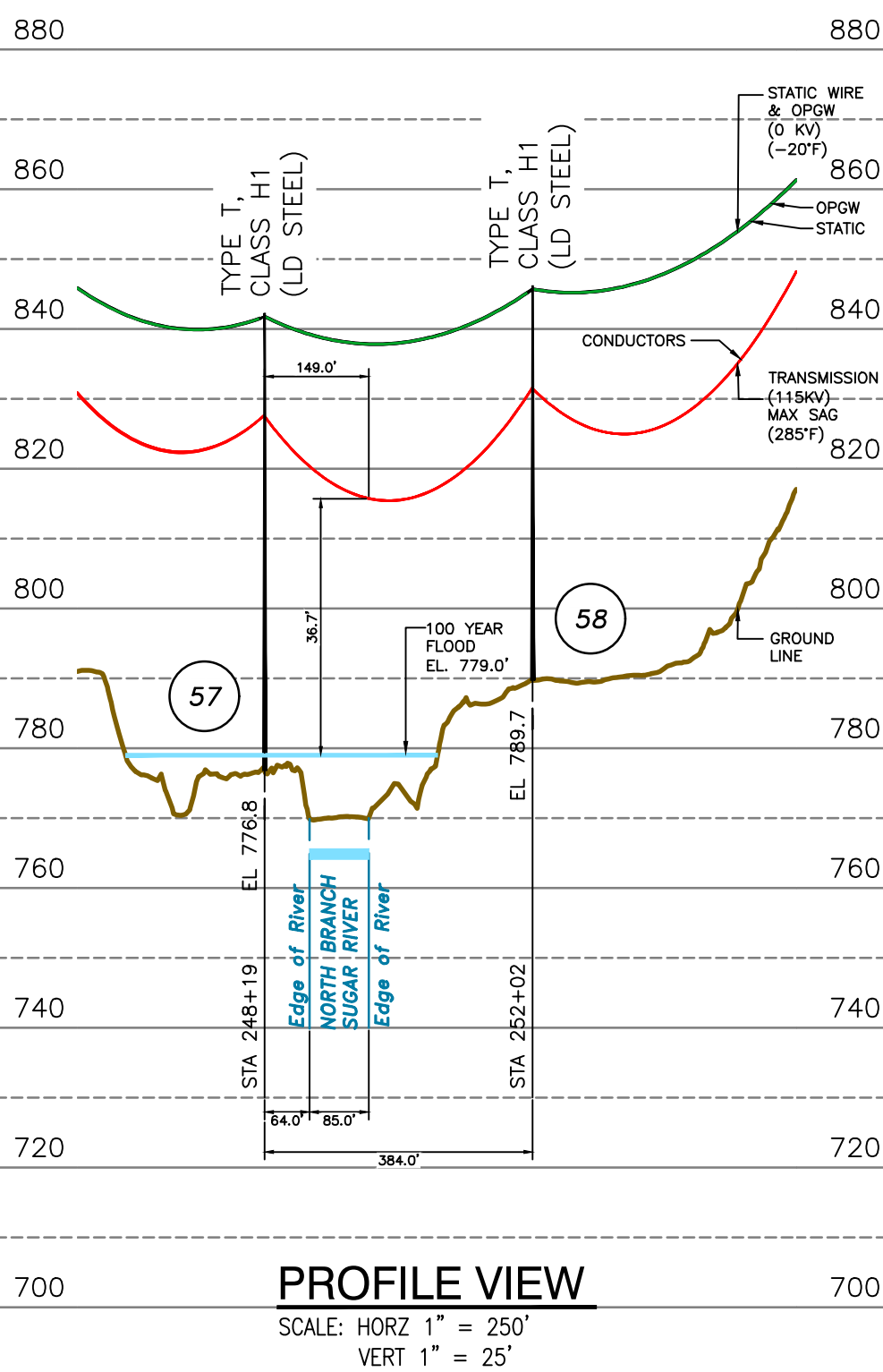
DWG REV	EPN/DESCRIPTION	CONT/PE#	DATE	DRN	CHKD	APPR
2	REVISED TO PUC		01/20/21	SEK	BRS	GEL
1	ISSUED TO PUC		06/12/20	SEK	BRS	GEL

EVERSOURCE ENERGY

T 2
DRAWN NEB/TRC
ENGINEER GEL/TRC
CHECKED GEL/TRC
APPROVED GEL/TRC
DATE 06/12/20

LINE K174 115KV TRANSMISSION
STATE OWNED LAND CROSSING & PUBLIC WATERS CROSSING
SUNAPEE TO CLAREMONT, N.H.
EXHIBIT #1

SCALE AS SHOWN FILE: K17443902.DWG DRAWING NO. K17443902



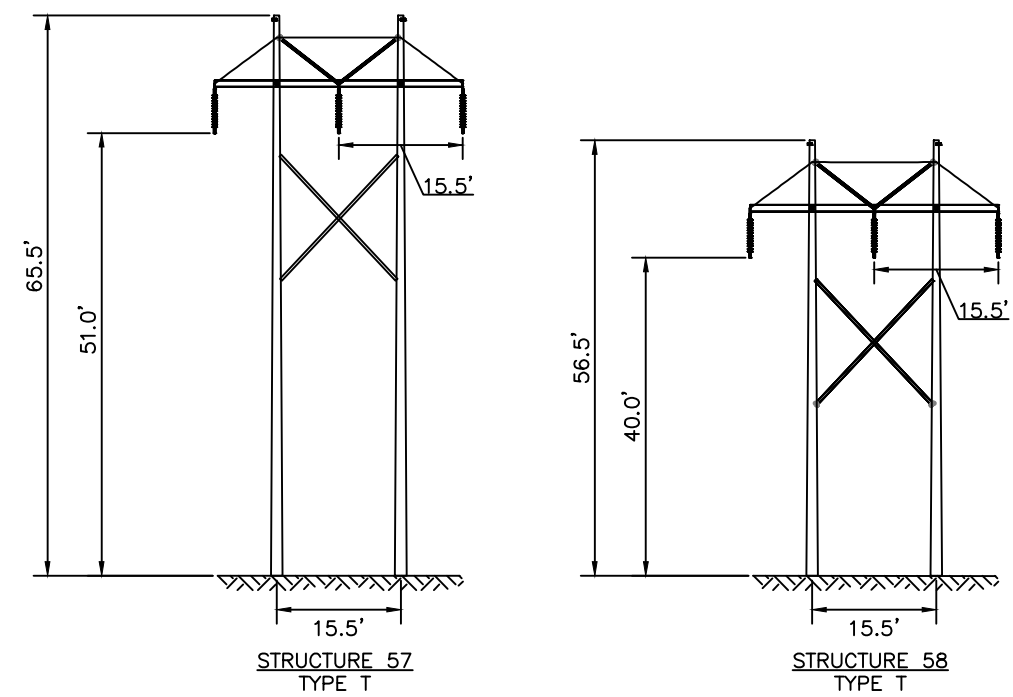
PROFILE VIEW

SCALE: HORIZ 1" = 250'
VERT 1" = 25'

PROFILE LEGEND:

	OPGW
	STATIC WIRE
	TRANSMISSION WIRE
	GROUND LINE PROFILE
	PROPERTY LINE

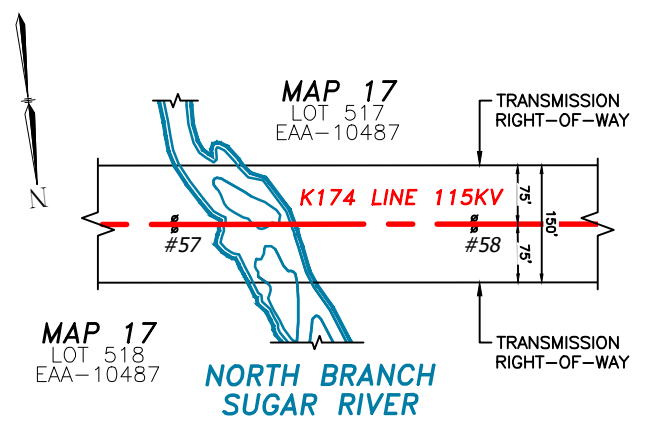
TOWN OF CROYDON, N.H.



STR 57: IS A SINGLE CIRCUIT STEEL TANGENT STRUCTURE, HORIZONTAL CONFIG.
STR 58: IS A SINGLE CIRCUIT STEEL TANGENT STRUCTURE, HORIZONTAL CONFIG.

STRUCTURE DETAILS

SCALE: NTS



PLAN VIEW

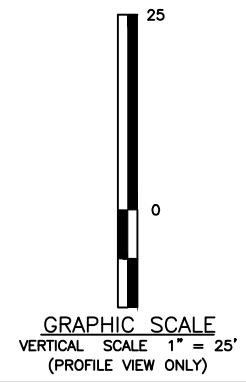
SCALE: 1" = 250'
PARCEL LINEWORK FROM NH GRANIT UNLESS NOTED OTHERWISE.

NEC VERTICAL CLEARANCE (FT) FROM TABLE 232.1	
NATURE OF SURFACE UNDERNEATH WIRES, CONDUCTORS OR CABLES	115kV
WATER AREAS NOT SUITABLE FOR SAIL BOATING OR WHERE SAIL BOATING IS PROHIBITED	18.6

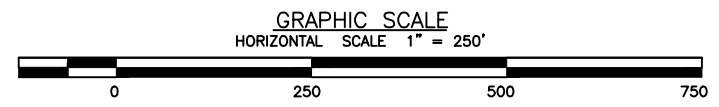
- NOTES:**
- VERTICAL DATUM IS NAVD88 IN FEET.
 - COORDINATE SYSTEM IS NEW HAMPSHIRE STATE PLANE NAD 83.
 - FEMA MAP FOR SELECTED AREA #33019C0144E, DATE 05/23/2006.

STRUCTURE LOCATION:

STR. #57 - LAT.= 43°24'36.901"N
LONG.= 72°11'17.519"W
STR. #58 - LAT.= 43°24'37.265"N
LONG.= 72°11'22.69"W



CABLE SCHEDULE						
WIRE	QTY OF CABLES	DESCRIPTION	DESIGN CONDITIONS			
			MAX DESIGN TENSION (lb)	TEMP (°F)	ICE (in)	WIND (psf)
CONDUCTOR	3	ACSR, 795 kcmil 36/1, COOT	5000	0	0.5	4
STATIC	1	7 No. 8 AW	3500	0	0.5	4
OPGW	1	IN-CAB 48F Ø.457 OPGW-C-A-48	3500	0	0.5	4



DWG REV	EPN/DESCRIPTION	CONT/PE#	DATE	DRN	CHKD	APPR
2	REVISED TO PUC		01/20/21	SEK	BRS	GEL
1	ISSUED TO PUC		06/12/20	SEK	BRS	GEL

EVERSOURCE ENERGY

LINE K174 115KV TRANSMISSION
N. BRANCH SUGAR RIVER PUBLIC WATERS CROSSING
CROYDON, N.H.
EXHIBIT #2

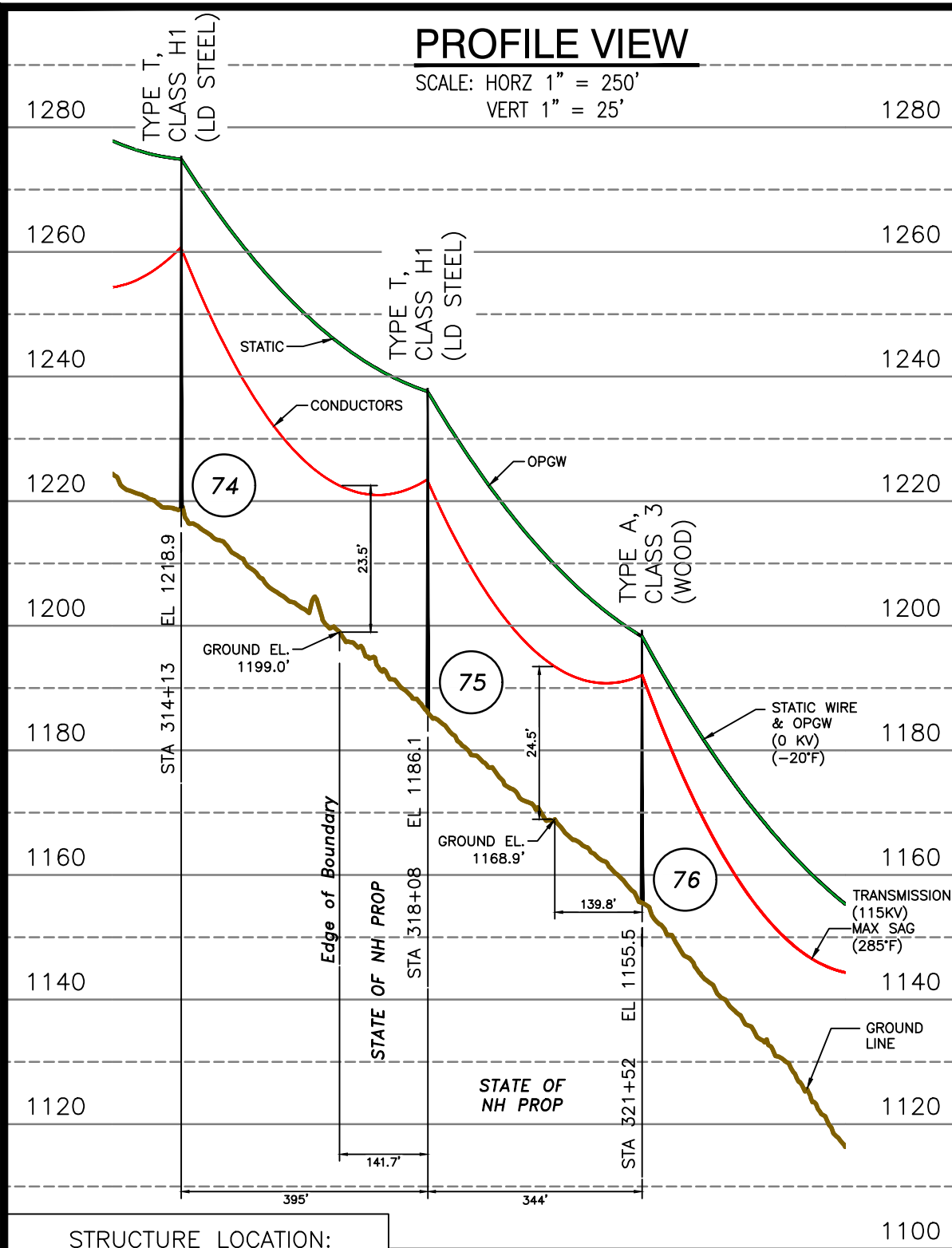
SCALE AS SHOWN	FILE: K17443905.DWG	DRAWING NO. K17443905
----------------	---------------------	-----------------------

ES VER: 12/2016

1/22/2021 9:44 AM - SKern - C:\pwworkingemp\pw1\d3943057\K17443501.dwg - EXHIBIT #3

PROFILE VIEW

SCALE: HORZ 1" = 250'
VERT 1" = 25'



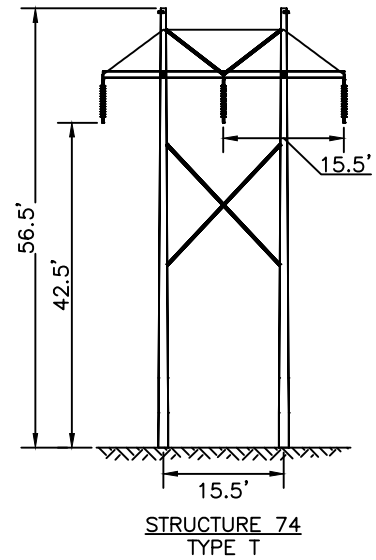
STRUCTURE LOCATION:

- STR. #74 - LAT.= 43°24'57.932"N
LONG.= 72°12'41.108"W
- STR. #75 - LAT.= 43°24'59.516"N
LONG.= 72°12'46.000"W
- STR. #76 - LAT.= 43°25'0.908"N
LONG.= 72°12'50.257"W

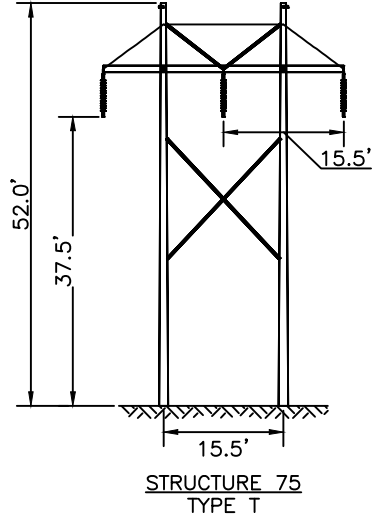
GRAPHIC SCALE
VERTICAL SCALE 1" = 25'
(PROFILE VIEW ONLY)

CABLE SCHEDULE						
WIRE	QTY OF CABLES	DESCRIPTION	DESIGN CONDITIONS			
			MAX DESIGN TENSION (lb)	TEMP (°F)	ICE (in)	WIND (psf)
CONDUCTOR	3	ACSR, 795 kcmil 36/1, COOT	5000	0	0.5	4
STATIC	1	7 No. 8 AW	3500	0	0.5	4
OPGW	1	IN-CAB 48F Ø.457 OPGW-C-A-48	3500	0	0.5	4

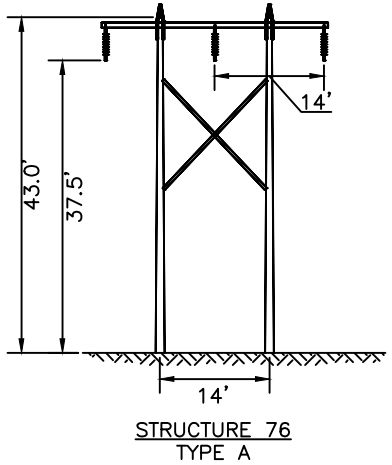
TOWN OF CROYDON, N.H.



STRUCTURE 74
TYPE T
STR 74: IS A SINGLE CIRCUIT STEEL TANGENT STRUCTURE, HORIZONTAL CONFIG.



STRUCTURE 75
TYPE T
STR 75: IS A SINGLE CIRCUIT STEEL TANGENT STRUCTURE, HORIZONTAL CONFIG.



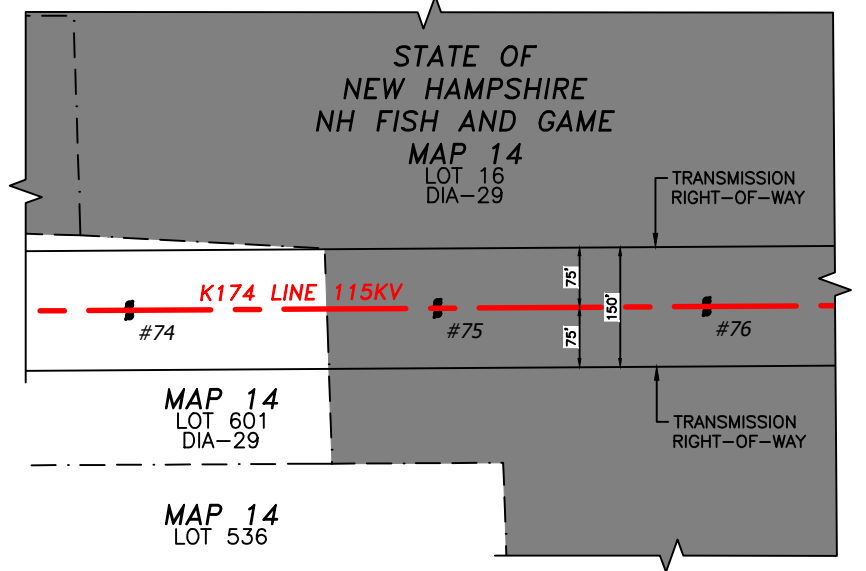
STRUCTURE 76
TYPE A
STR 76: IS A SINGLE CIRCUIT WOOD TANGENT STRUCTURE, HORIZONTAL CONFIG.

STRUCTURE DETAILS

SCALE: NTS

PROFILE LEGEND:

- STATIC WIRE
- TRANSMISSION WIRE
- OPGW
- GROUND LINE PROFILE
- - - - - PROPERTY LINE

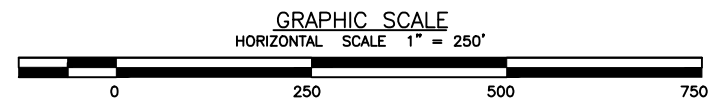


PLAN VIEW

SCALE: 1" = 250'
PARCEL LINEWORK FROM NH GRANIT UNLESS NOTED OTHERWISE.

NESC VERTICAL CLEARANCE (FT) FROM TABLE 232.1	
NATURE OF SURFACE UNDERNEATH WIRES, CONDUCTORS OR CABLES	115kV
OTHER AREAS TRAVERSED BY VEHICLES, SUCH AS CULTIVATED, GRAZING, FOREST, AND ORCHARD LANDS, INDUSTRIAL SITES, COMMERCIAL SITES, ETC.	20.1

- NOTES:
- VERTICAL DATUM IS NAVD88 IN FEET.
 - COORDINATE SYSTEM IS NEW HAMPSHIRE STATE PLANE NAD 83.
 - WIDTH OF STATE OF NH PROP FROM EAST OF STR. #75 TO WEST OF STR. #102 IS 11,686.7'. ADDITIONAL STATE LAND CROSSING WIDTH OF 175' BETWEEN STR. #103 AND THE EASTERLY BOUNDARY OF THE CORNISH TURNPIKE ROW.



DWG REV	EPN/DESCRIPTION	CONT/PE#	DATE	DRN	CHKD	APPR
2	REVISED TO PUC		01/20/21	SEK	BRS	GEL
1	ISSUED TO PUC		07/02/20	SEK	BRS	GEL

EVERSOURCE ENERGY

LINE K174 115KV TRANSMISSION
STATE OWNED LAND CROSSING
CROYDON, N.H.
EXHIBIT #3

SCALE AS SHOWN	FILE: K17443501.DWG IMAGE:	DRAWING NO. K17443501
-------------------	-------------------------------	---------------------------------

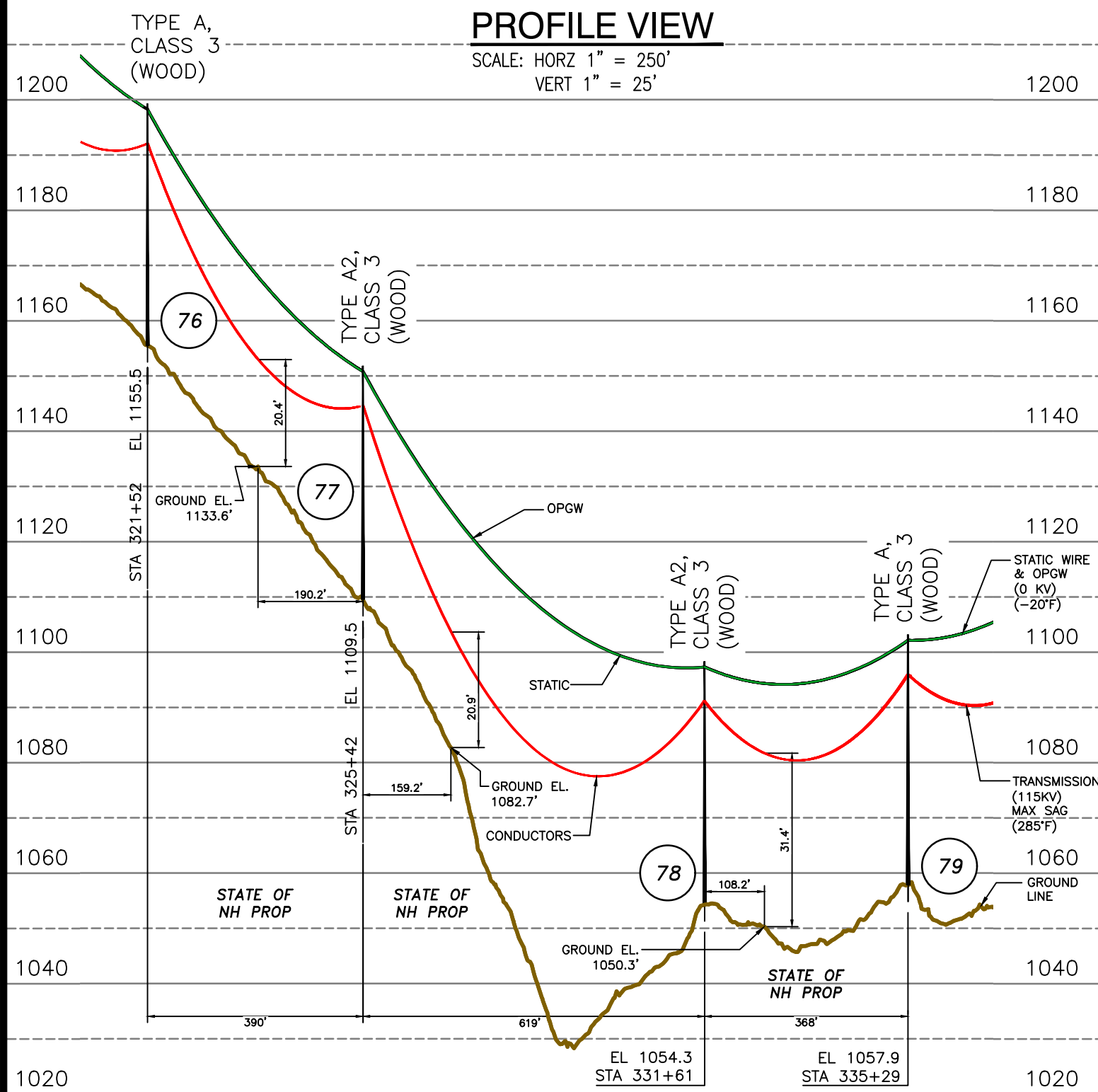
T	2
DRAWN	DRL/TRC
ENGINEER	GEL/TRC
CHECKED	SAL/TRC
APPROVED	GEL/TRC
DATE	07/02/20

ES VER: 12/2016

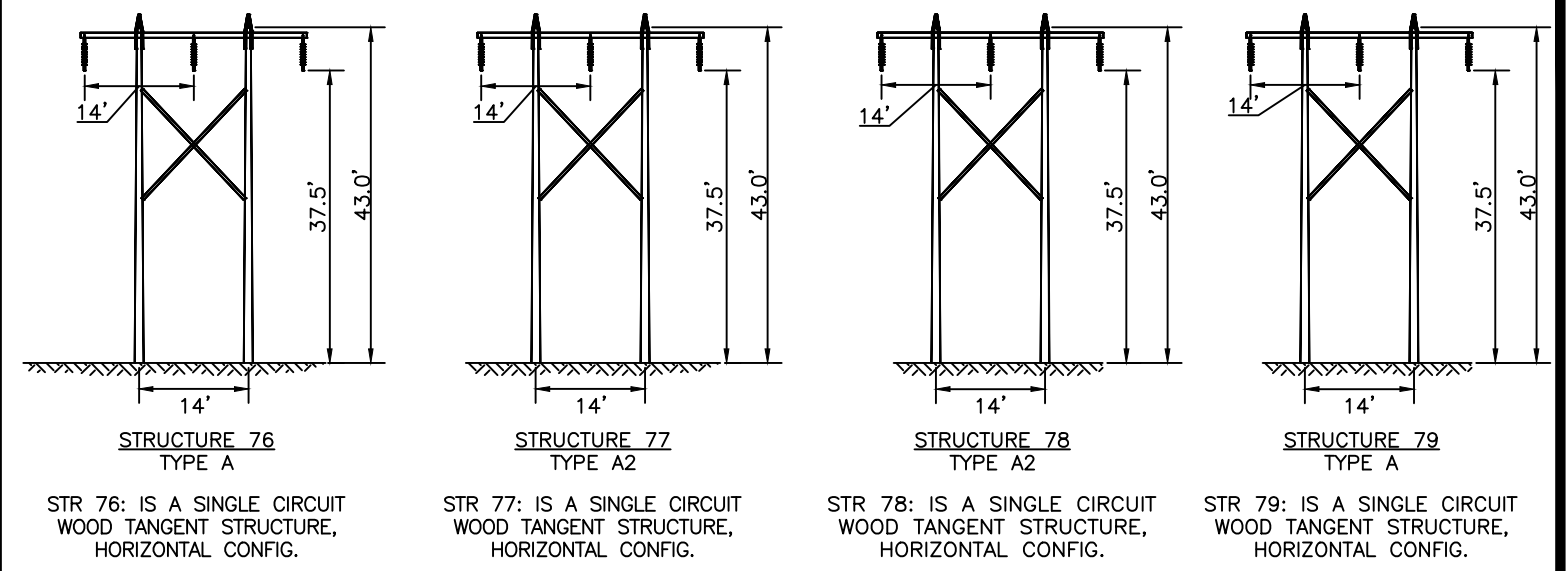
1/22/2021 2:19 PM - Skern - C:\pwworkingemp\pw\17443501.dwg - EXHIBIT #4

PROFILE VIEW

SCALE: HORZ 1" = 250'
VERT 1" = 25'

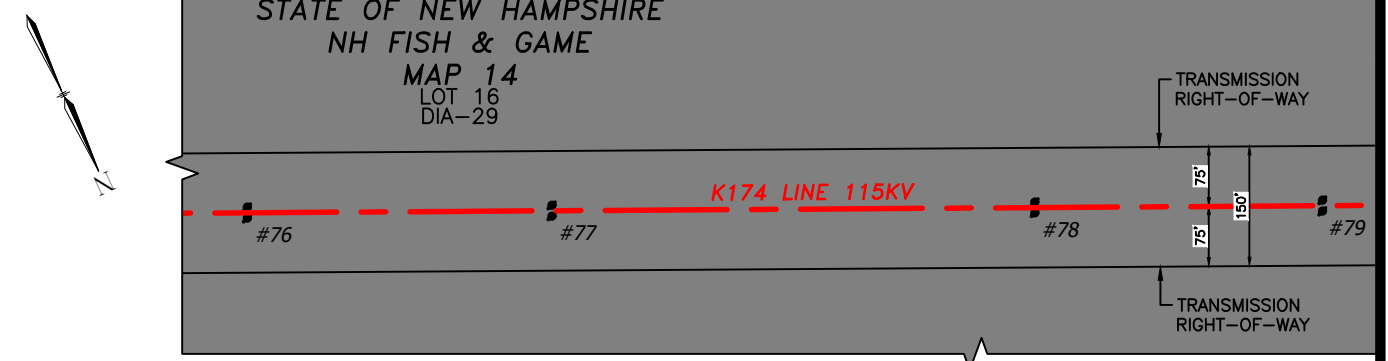


TOWN OF CROYDON, N.H.



STRUCTURE DETAILS

SCALE: NTS



NESC VERTICAL CLEARANCE (FT) FROM TABLE 232.1	
NATURE OF SURFACE UNDERNEATH WIRES, CONDUCTORS OR CABLES	115KV
OTHER AREAS TRAVERSED BY VEHICLES, SUCH AS CULTIVATED, GRAZING, FOREST, AND ORCHARD LANDS, INDUSTRIAL SITES, COMMERCIAL SITES, ETC.	20.1

PROFILE LEGEND:	
— OPGW	— GROUND LINE PROFILE
— STATIC WIRE	— TRANSMISSION WIRE
— PROPERTY LINE	

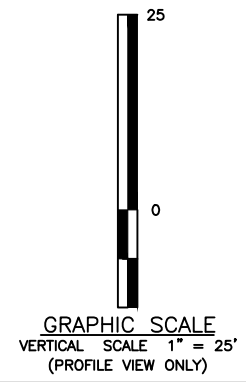
PLAN VIEW

SCALE: 1" = 250'
PARCEL LINEWORK FROM NH GRANIT UNLESS NOTED OTHERWISE.

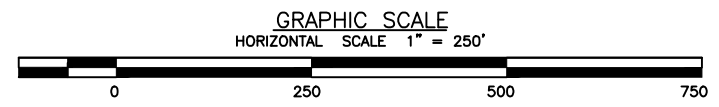
- NOTES:
- VERTICAL DATUM IS NAVD88 IN FEET.
 - COORDINATE SYSTEM IS NEW HAMPSHIRE STATE PLANE NAD 83.
 - WIDTH OF STATE OF NH PROP FROM EAST OF STR. #75 TO WEST OF STR. #102 IS 11,686.7'. ADDITIONAL STATE LAND CROSSING WIDTH OF 175' BETWEEN STR. #103 AND THE EASTERLY BOUNDARY OF THE CORNISH TURNPIKE ROW.

STRUCTURE LOCATION:

- STR. #76 - LAT.= 43°25'0.908"N
LONG.= 72°12'50.257"W
- STR. #77 - LAT.= 43°25'2.475"N
LONG.= 72°12'55.085"W
- STR. #78 - LAT.= 43°25'4.948"N
LONG.= 72°13'2.751"W
- STR. #79 - LAT.= 43°25'6.44"N
LONG.= 72°13'7.304"W



CABLE SCHEDULE						
WIRE	QTY OF CABLES	DESCRIPTION	DESIGN CONDITIONS			
			MAX DESIGN TENSION (lb)	TEMP (°F)	ICE (in)	WIND (psf)
CONDUCTOR	3	ACSR, 795 kcmil 36/1, COOT	5000	0	0.5	4
STATIC	1	7 No. 8 AW	3500	0	0.5	4
OPGW	1	IN-CAB 48F Ø.457 OPGW-C-A-48	3500	0	0.5	4



DWG REV	EPN/DESCRIPTION	CONT/PE#	DATE	DRN	CHKD	APPR
2	REVISED TO PUC		01/20/21	SEK	BRS	GEL
1	ISSUED TO PUC		07/02/20	SEK	BRS	GEL

LINE K174 115KV TRANSMISSION
STATE OWNED LAND CROSSING
CROYDON, N.H.
EXHIBIT #4

SCALE AS SHOWN	FILE: K17443501.DWG IMAGE:	DRAWING NO. K17443501
-------------------	-------------------------------	--------------------------

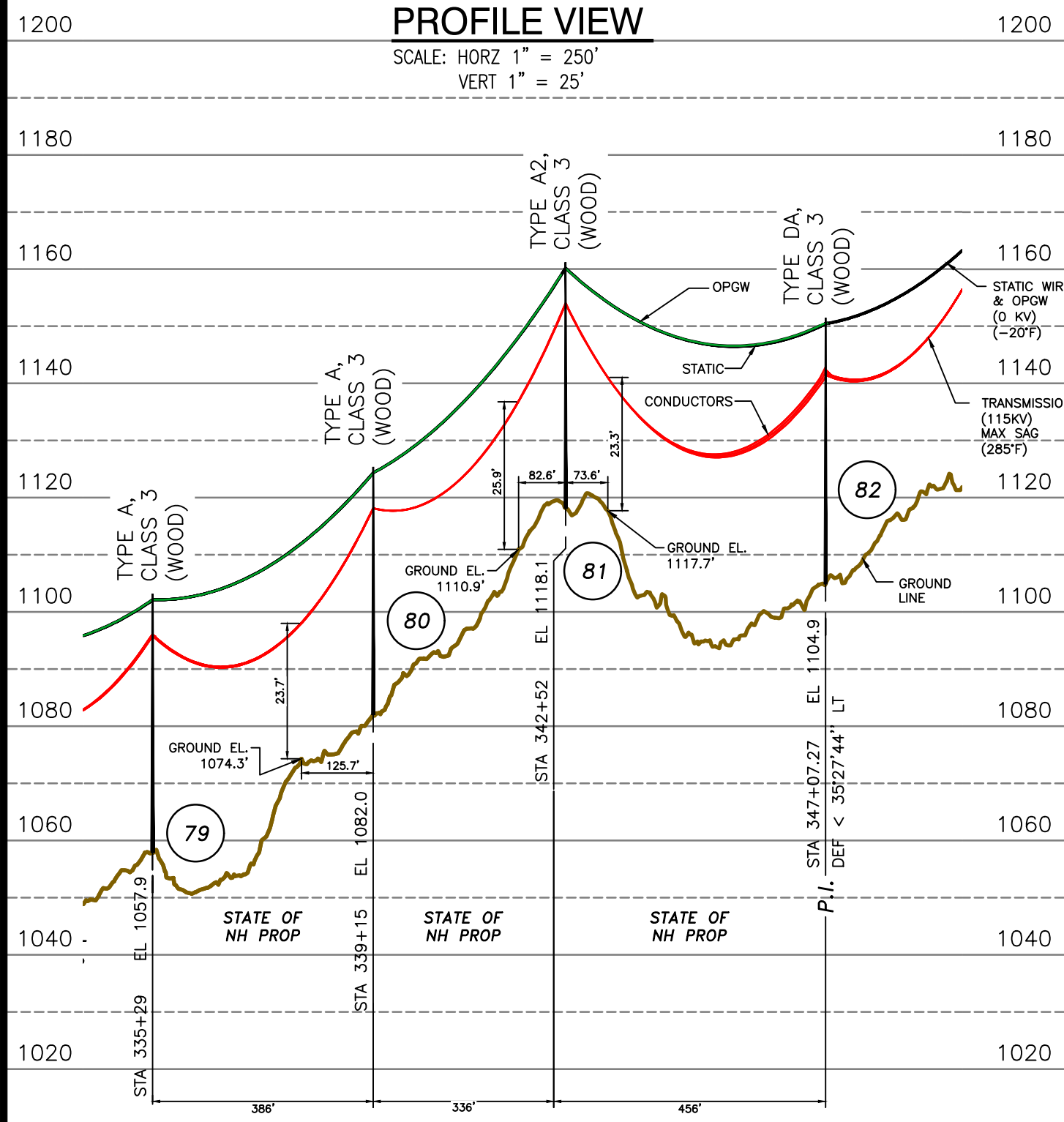
ES VER: 12/2016

EXHIBIT #5

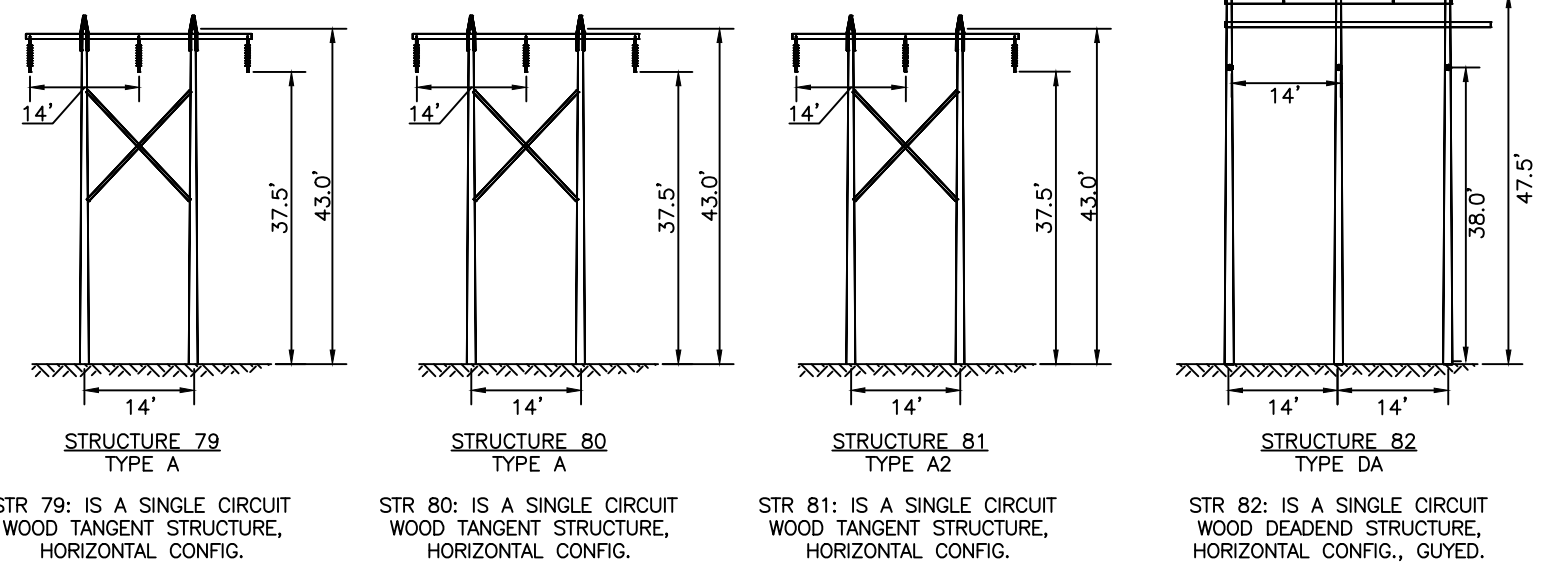
1/22/2021 2:19 PM - Skern - C:\pwworkingemp\pw\17443501.dwg - EXHIBIT #5

PROFILE VIEW

SCALE: HORZ 1" = 250'
VERT 1" = 25'

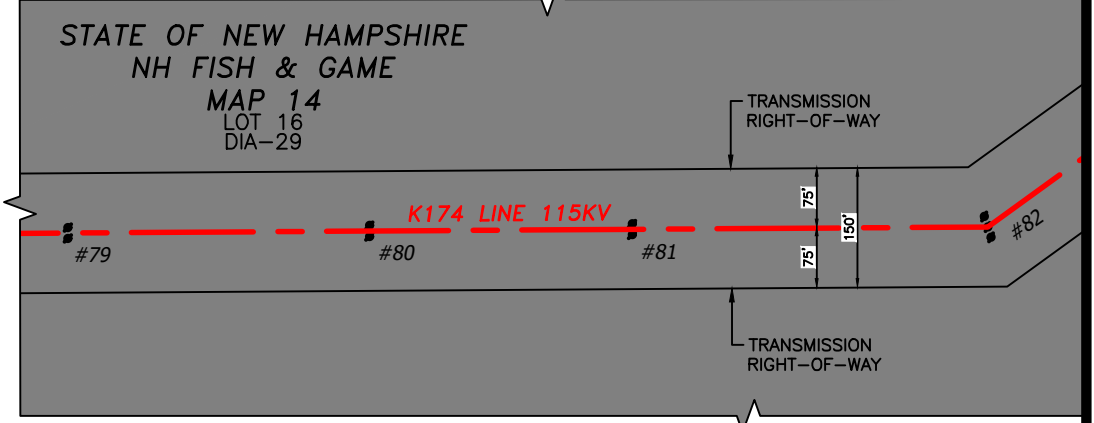


TOWN OF CROYDON, N.H.



STRUCTURE DETAILS

SCALE: NTS



PLAN VIEW

SCALE: 1" = 250'
PARCEL LINWORK FROM NH GRANIT UNLESS NOTED OTHERWISE.

- NOTES:
- VERTICAL DATUM IS NAVD88 IN FEET.
 - COORDINATE SYSTEM IS NEW HAMPSHIRE STATE PLANE NAD 83.
 - WIDTH OF STATE OF NH PROP FROM EAST OF STR. #75 TO WEST OF STR. #102 IS 11,686.7'. ADDITIONAL STATE LAND CROSSING WIDTH OF 175' BETWEEN STR. #103 AND THE EASTERLY BOUNDARY OF THE CORNISH TURNPIKE ROW.

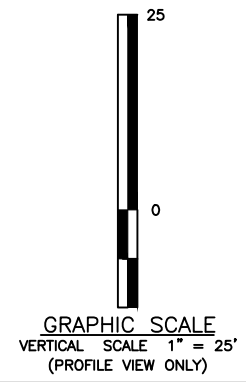
NESC VERTICAL CLEARANCE (FT) FROM TABLE 232.1	
NATURE OF SURFACE UNDERNEATH WIRES, CONDUCTORS OR CABLES	115KV
OTHER AREAS TRAVERSED BY VEHICLES, SUCH AS CULTIVATED, GRAZING, FOREST, AND ORCHARD LANDS, INDUSTRIAL SITES, COMMERCIAL SITES, ETC.	20.1

PROFILE LEGEND:

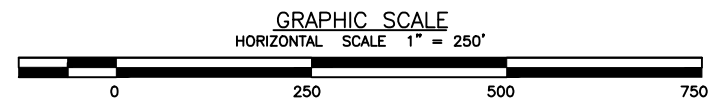
	OPGW
	STATIC WIRE
	TRANSMISSION WIRE
	GROUND LINE PROFILE
	PROPERTY LINE

STRUCTURE LOCATION:

- STR. #79 - LAT.= 43°25'6.44"N
LONG.= 72°13'7.304"W
- STR. #80 - LAT.= 43°25'7.982"N
LONG.= 72°13'12.09"W
- STR. #81 - LAT.= 43°25'9.327"N
LONG.= 72°13'16.259"W
- STR. #82 - LAT.= 43°25'11.144"N
LONG.= 72°13'21.903"W



CABLE SCHEDULE						
WIRE	QTY OF CABLES	DESCRIPTION	DESIGN CONDITIONS			
			MAX DESIGN TENSION (lb)	TEMP (°F)	ICE (in)	WIND (psf)
CONDUCTOR	3	ACSR, 795 kcmil 36/1, COOT	5000	0	0.5	4
STATIC	1	7 No. 8 AW	3500	0	0.5	4
OPGW	1	IN-CAB 48F Ø.457 OPGW-C-A-48	3500	0	0.5	4



DWG REV	EPN/DESCRIPTION	CONT/PE#	DATE	DRN	CHKD	APPR
2	REVISED TO PUC		01/20/21	SEK	BRS	GEL
1	ISSUED TO PUC		07/02/20	SEK	BRS	GEL

LINE K174 115KV TRANSMISSION
STATE OWNED LAND CROSSING
CROYDON, N.H.
EXHIBIT #5

SCALE AS SHOWN	FILE: K17443501.DWG IMAGE:	DRAWING NO. K17443501
-------------------	-------------------------------	--------------------------

PROFILE VIEW

SCALE: HORZ 1" = 250'
VERT 1" = 25'

NOTES:

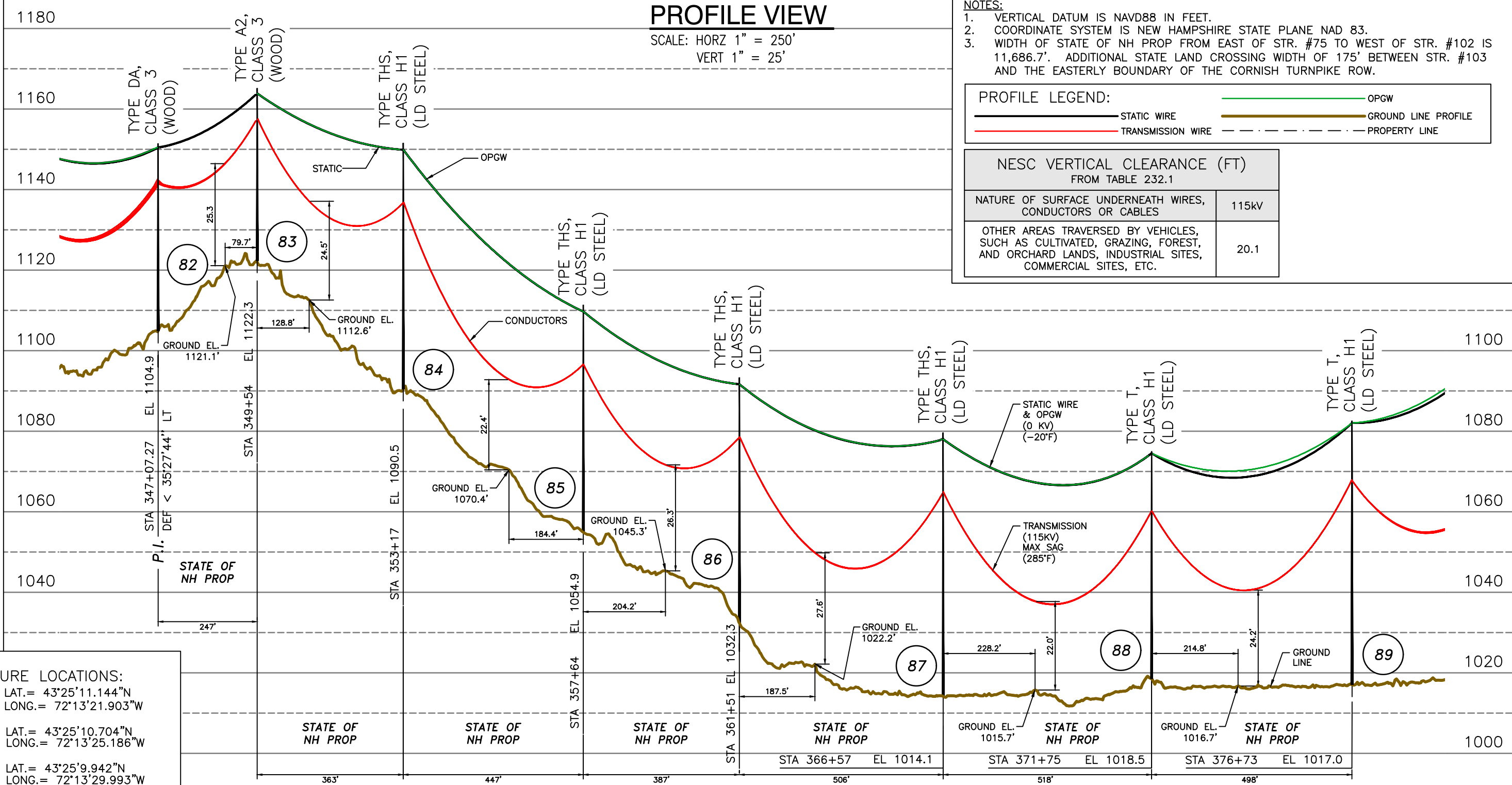
- VERTICAL DATUM IS NAVD88 IN FEET.
- COORDINATE SYSTEM IS NEW HAMPSHIRE STATE PLANE NAD 83.
- WIDTH OF STATE OF NH PROP FROM EAST OF STR. #75 TO WEST OF STR. #102 IS 11,686.7'. ADDITIONAL STATE LAND CROSSING WIDTH OF 175' BETWEEN STR. #103 AND THE EASTERLY BOUNDARY OF THE CORNISH TURNPIKE ROW.

PROFILE LEGEND:

- OPGW
- TRANSMISSION WIRE
- GROUND LINE PROFILE
- PROPERTY LINE
- STATIC WIRE

NESC VERTICAL CLEARANCE (FT)
FROM TABLE 232.1

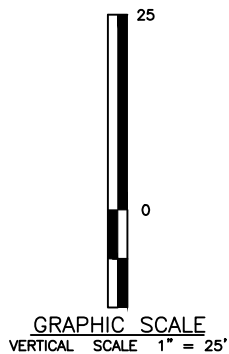
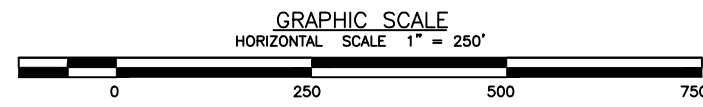
NATURE OF SURFACE UNDERNEATH WIRES, CONDUCTORS OR CABLES	115kV
OTHER AREAS TRAVERSED BY VEHICLES, SUCH AS CULTIVATED, GRAZING, FOREST, AND ORCHARD LANDS, INDUSTRIAL SITES, COMMERCIAL SITES, ETC.	20.1



STRUCTURE LOCATIONS:

- STR. #82 - LAT.= 43°25'11.144"N
LONG.= 72°13'21.903"W
- STR. #83 - LAT.= 43°25'10.704"N
LONG.= 72°13'25.186"W
- STR. #84 - LAT.= 43°25'9.942"N
LONG.= 72°13'29.993"W
- STR. #85 - LAT.= 43°25'9.061"N
LONG.= 72°13'35.927"W
- STR. #86 - LAT.= 43°25'8.296"N
LONG.= 72°13'41.076"W
- STR. #87 - LAT.= 43°25'7.298"N
LONG.= 72°13'47.795"W
- STR. #88 - LAT.= 43°25'6.277"N
LONG.= 72°13'54.67"W
- STR. #89 - LAT.= 43°25'5.295"N
LONG.= 72°14'1.279"W

CABLE SCHEDULE						
WIRE	QTY OF CABLES	DESCRIPTION	DESIGN CONDITIONS			
			MAX DESIGN TENSION (lb)	TEMP (°F)	ICE (in)	WIND (psf)
CONDUCTOR	3	ACSR, 795 kcmil 36/1, COOT	4500	0	0.5	4
STATIC	1	7 No. 8 AW	4500	0	0.5	4
OPGW	1	IN-CAB 48F Ø.457 OPGW-C-A-48	3500	0	0.5	4



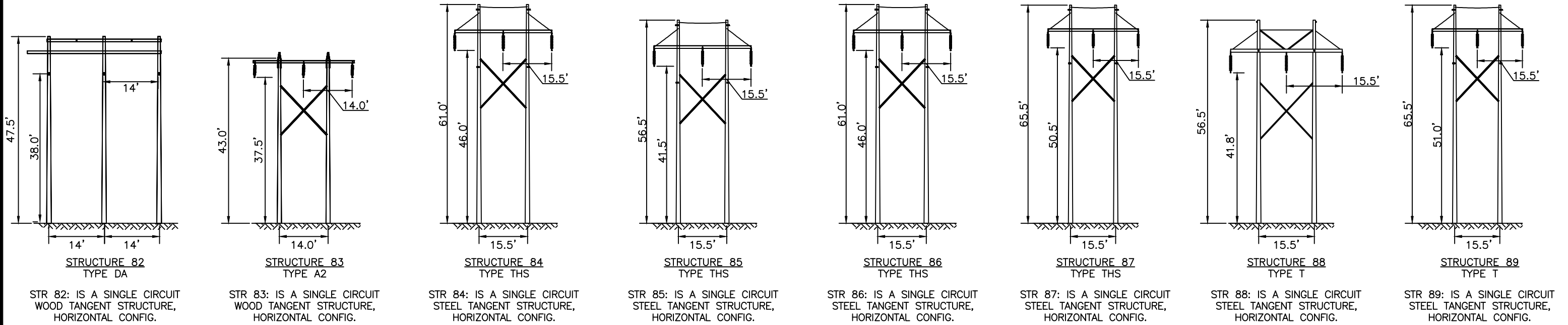
EVERSOURCE ENERGY

LINE K174 115KV TRANSMISSION
STATE OWNED LAND CROSSING
CROYDON, N.H.
EXHIBIT #6

SCALE AS SHOWN	FILE: K17443501.DWG	DRAWING NO. K17443501
----------------	---------------------	-----------------------

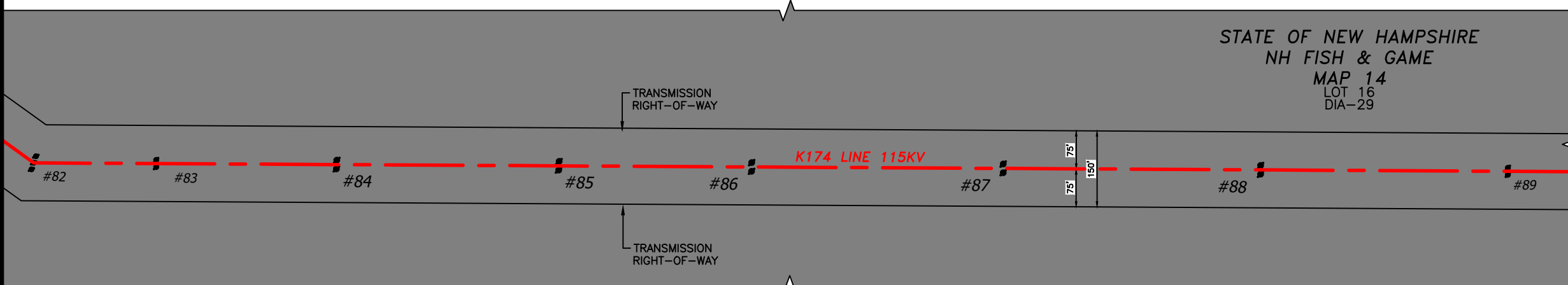
DWG REV	EPN/DESCRIPTION	CONT/PE#	DATE	DRN	CHKD	APPR
2	REVISED TO PUC		01/20/21	SEK	BRS	GEL
1	ISSUED TO PUC		07/02/20	SEK	BRS	GEL

TOWN OF CROYDON, N.H.



STRUCTURE DETAILS

SCALE: NTS



STRUCTURE LOCATIONS:

- STR. #82 - LAT.= 43°25'11.144"N
LONG.= 72°13'21.903"W
- STR. #83 - LAT.= 43°25'10.704"N
LONG.= 72°13'25.186"W
- STR. #84 - LAT.= 43°25'9.942"N
LONG.= 72°13'29.993"W
- STR. #85 - LAT.= 43°25'9.061"N
LONG.= 72°13'35.927"W
- STR. #86 - LAT.= 43°25'8.296"N
LONG.= 72°13'41.076"W
- STR. #87 - LAT.= 43°25'7.298"N
LONG.= 72°13'47.795"W
- STR. #88 - LAT.= 43°25'6.324"N
LONG.= 72°13'54.544"W
- STR. #89 - LAT.= 43°25'5.295"N
LONG.= 72°14'1.279"W

PLAN VIEW

SCALE: 1" = 250'
PARCEL LINEWORK FROM NH GRANIT
UNLESS NOTED OTHERWISE.

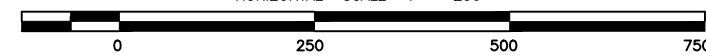
NOTES:

1. VERTICAL DATUM IS NAVD88 IN FEET.
2. COORDINATE SYSTEM IS NEW HAMPSHIRE STATE PLANE NAD 83.
3. WIDTH OF STATE OF NH PROP FROM EAST OF STR. #75 TO WEST OF STR. #102 IS 11,686.7'. ADDITIONAL STATE LAND CROSSING WIDTH OF 175' BETWEEN STR. #103 AND THE EASTERLY BOUNDARY OF THE CORNISH TURNPIKE ROW.

CABLE SCHEDULE

WIRE	QTY OF CABLES	DESCRIPTION	DESIGN CONDITIONS			
			MAX DESIGN TENSION (lb)	TEMP (°F)	ICE (in)	WIND (psf)
CONDUCTOR	3	ACSR, 795 kcmil 36/1, COOT	4500	0	0.5	4
STATIC	1	7 No. 8 AW	4500	0	0.5	4
OPGW	1	IN-CAB 48F Ø.457 OPGW-C-A-48	3500	0	0.5	4

GRAPHIC SCALE
HORIZONTAL SCALE 1" = 250'



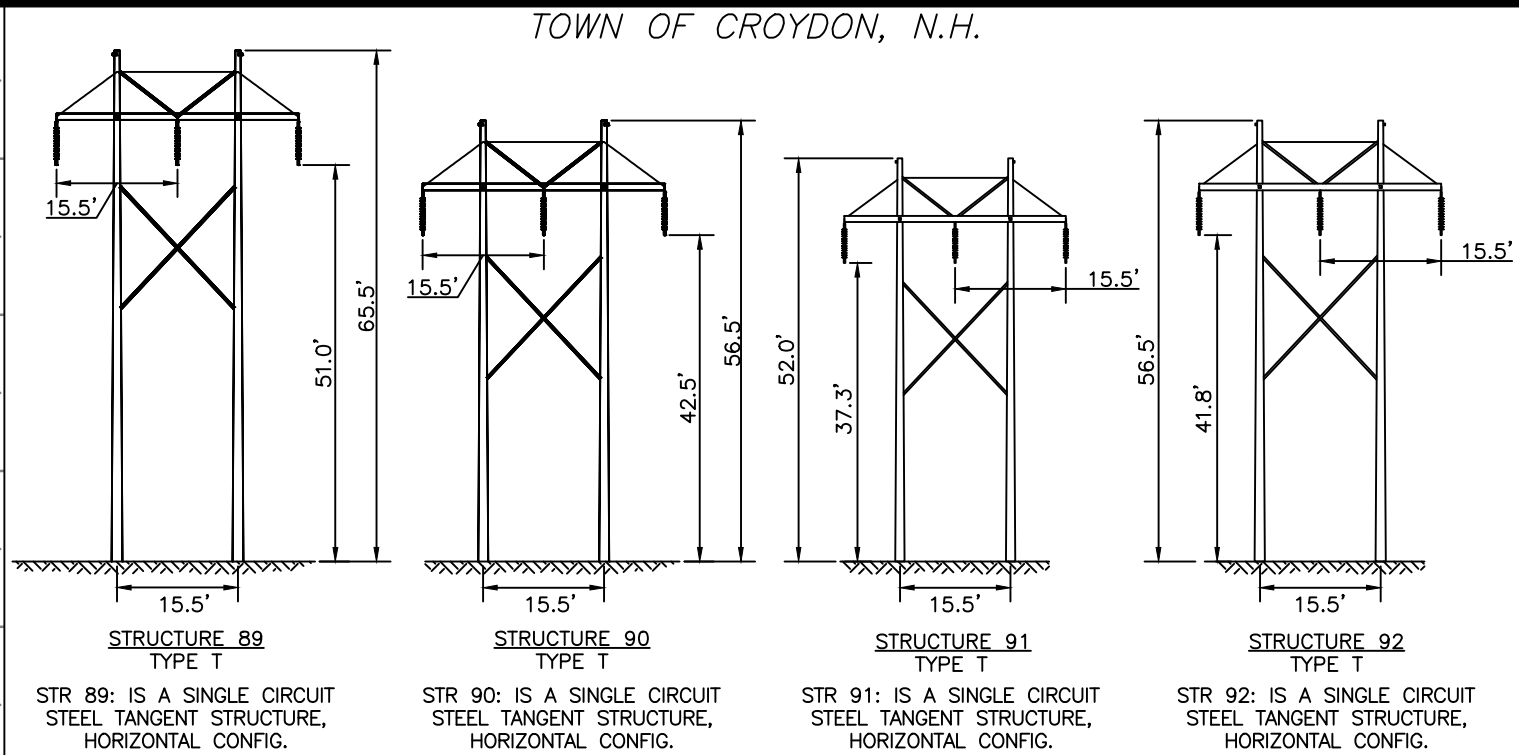
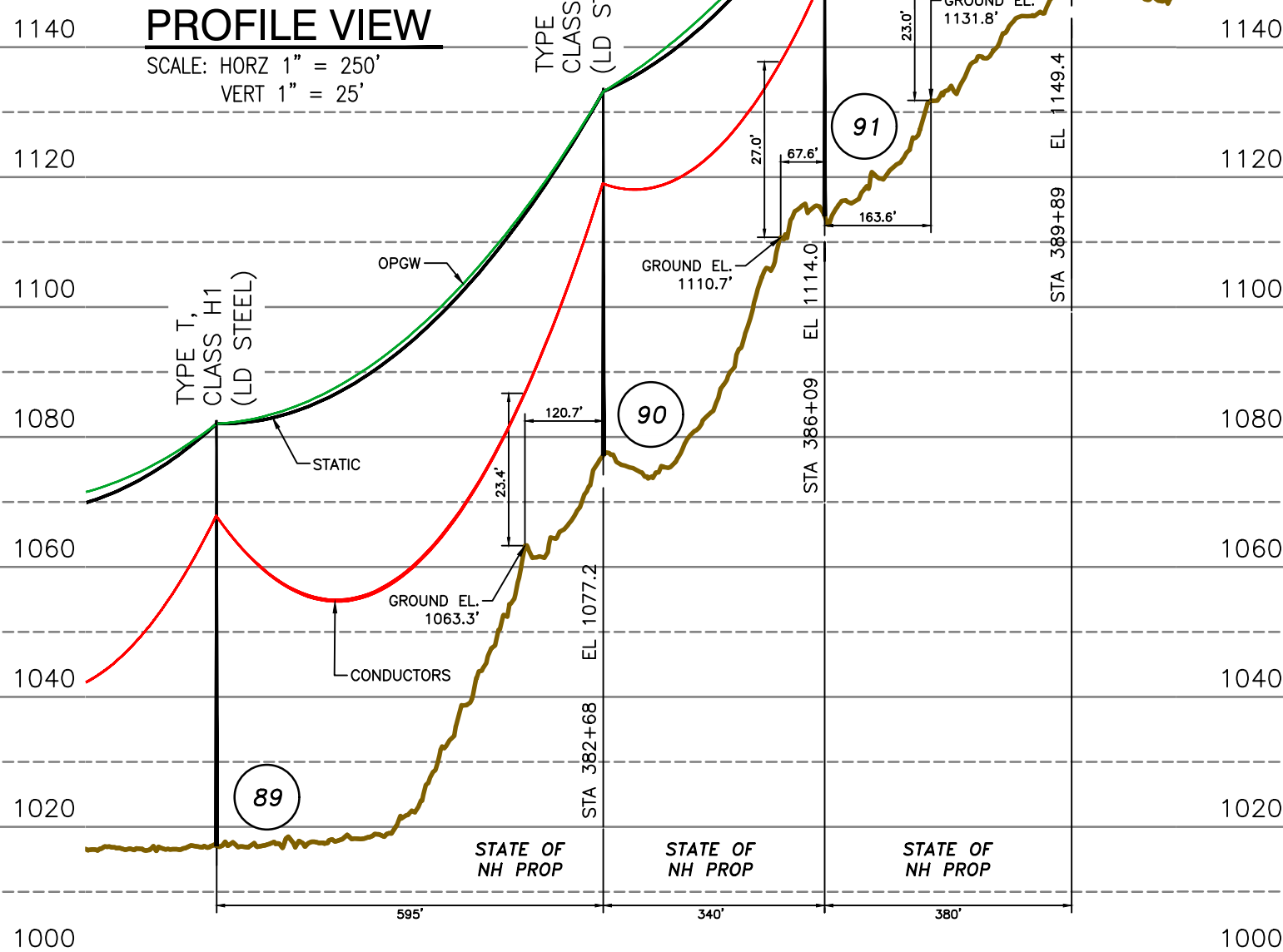
DWG REV	EPN/DESCRIPTION	CONT/PE#	DATE	DRN	CHKD	APPR
2	REVISED TO PUC		01/20/21	SEK	BRS	GEL
1	ISSUED TO PUC		07/02/20	SEK	BRS	GEL

EVERSOURCE ENERGY

LINE K174 115KV TRANSMISSION
STATE OWNED LAND CROSSING
CROYDON, N.H.
EXHIBIT #6A

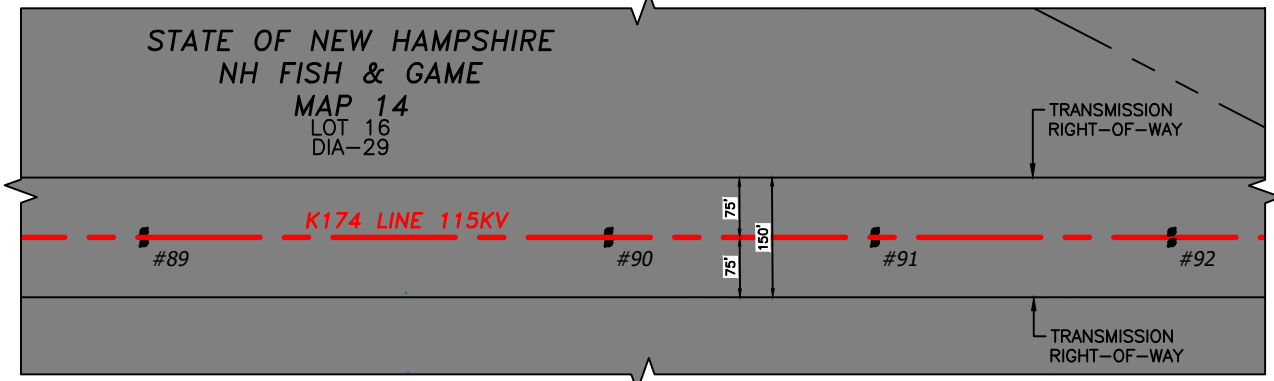
SCALE AS SHOWN	FILE: K17443501.DWG IMAGE:	DRAWING NO. K17443501	T 2 DRAWN NEB/TRC ENGINEER GEL/TRC CHECKED JJD/TRC APPROVED GEL/TRC DATE 07/02/20
-------------------	-------------------------------	---------------------------------	---

NESC VERTICAL CLEARANCE (FT) FROM TABLE 232.1	
NATURE OF SURFACE UNDERNEATH WIRES, CONDUCTORS OR CABLES	115kV
OTHER AREAS TRAVERSED BY VEHICLES, SUCH AS CULTIVATED, GRAZING, FOREST, AND ORCHARD LANDS, INDUSTRIAL SITES, COMMERCIAL SITES, ETC.	20.1



STRUCTURE DETAILS

SCALE: NTS



PLAN VIEW

SCALE: 1" = 250'
PARCEL LINework FROM NH GRANIT UNLESS NOTED OTHERWISE.

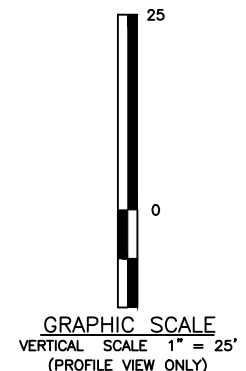
PROFILE LEGEND:

	OPGW
	STATIC WIRE
	TRANSMISSION WIRE
	GROUND LINE PROFILE
	PROPERTY LINE

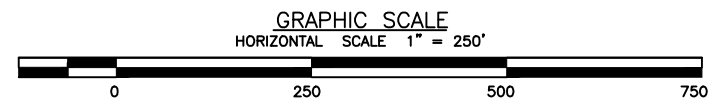
- NOTES:**
- VERTICAL DATUM IS NAVD88 IN FEET.
 - COORDINATE SYSTEM IS NEW HAMPSHIRE STATE PLANE NAD 83.
 - WIDTH OF STATE OF NH PROP FROM EAST OF STR. #75 TO WEST OF STR. #102 IS 11,686.7'. ADDITIONAL STATE LAND CROSSING WIDTH OF 175' BETWEEN STR. #103 AND THE EASTERLY BOUNDARY OF THE CORNISH TURNPIKE ROW.

STRUCTURE LOCATION:

- STR. #89 - LAT.= 43°25'5.295"N
LONG.= 72°14'1.279"W
- STR. #90 - LAT.= 43°25'4.121"N
LONG.= 72°14'9.181"W
- STR. #91 - LAT.= 43°25'3.449"N
LONG.= 72°14'13.702"W
- STR. #92 - LAT.= 43°25'2.699"N
LONG.= 72°14'18.747"W



CABLE SCHEDULE						
WIRE	QTY OF CABLES	DESCRIPTION	DESIGN CONDITIONS			
			MAX DESIGN TENSION (lb)	TEMP (°F)	ICE (in)	WIND (psf)
CONDUCTOR	3	ACSR, 795 kcmil 36/1, COOT	4500	0	0.5	4
STATIC	1	7 No. 8 AW	4500	0	0.5	4
OPGW	1	INCAB 48F Ø.457 OPGW-C-A-48	3500	0	0.5	4



DWG REV	EPN/DESCRIPTION	CONT/PE#	DATE	DRN	CHKD	APPR
2	REVISED TO PUC		01/20/21	SEK	BRS	GEL
1	ISSUED TO PUC		07/02/20	SEK	BRS	GEL

EVERSOURCE ENERGY

LINE K174 115KV TRANSMISSION
STATE OWNED LAND CROSSING
CROYDON, N.H.
EXHIBIT #7

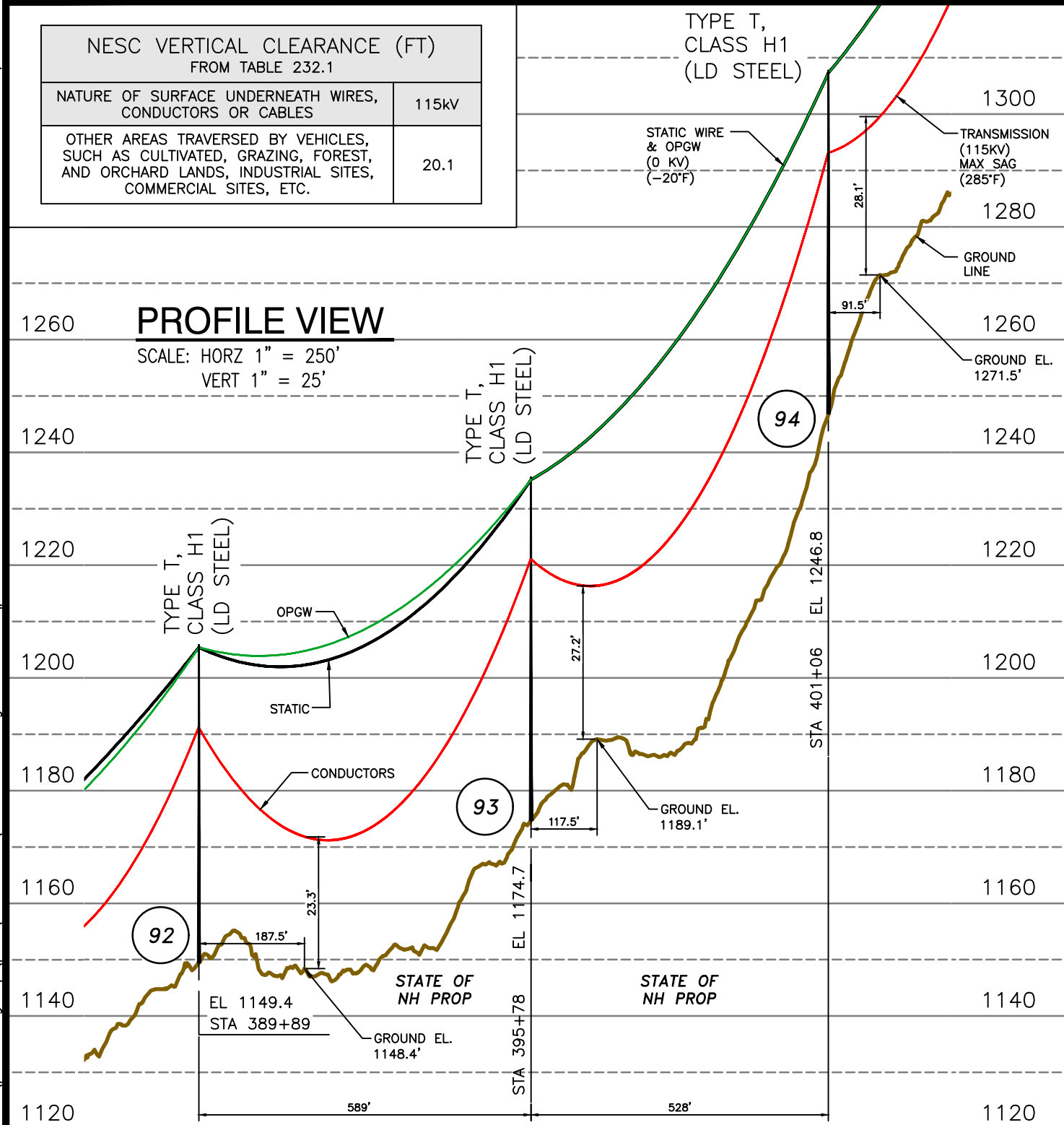
T	2
DRAWN	DRL/TRC
ENGINEER	GEL/TRC
CHECKED	SAL/TRC
APPROVED	GEL/TRC
DATE	07/02/20

SCALE: AS SHOWN
FILE: K17443501.DWG
DRAWING NO.: K17443501

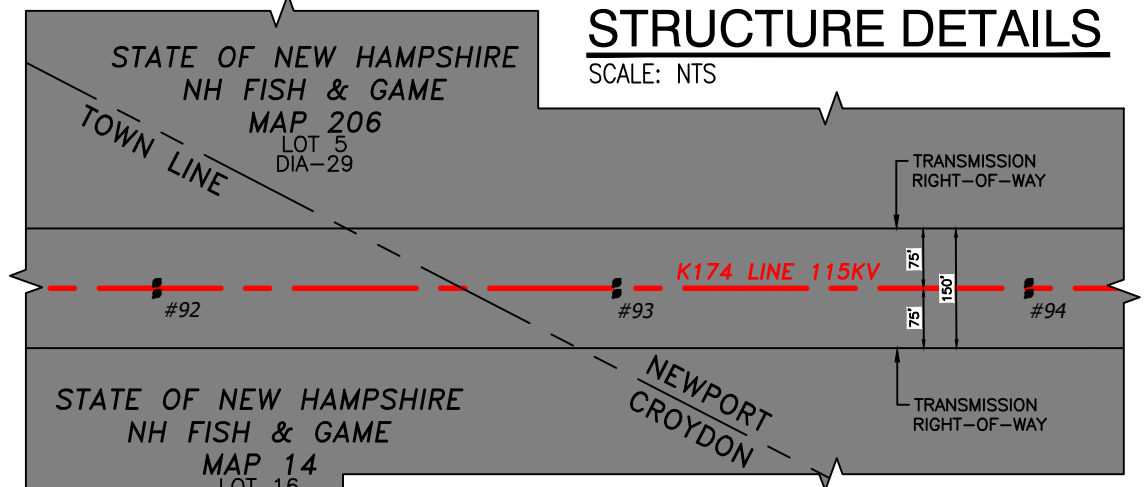
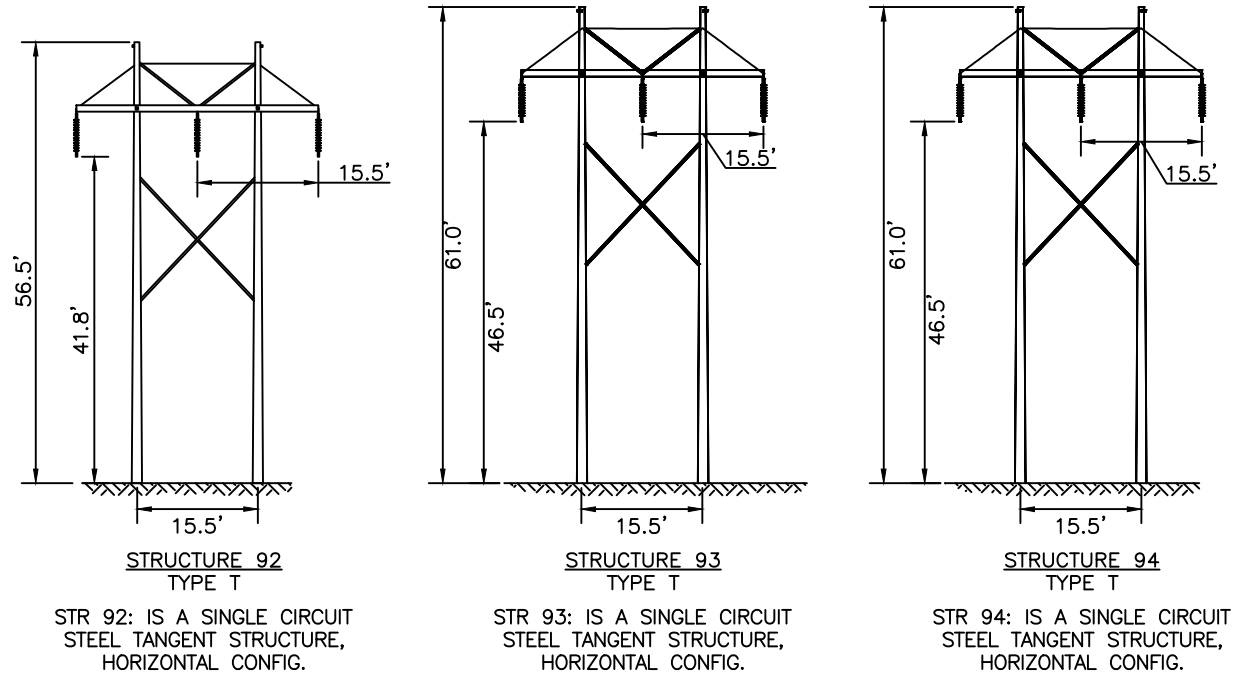
ES VER: 12/2016

1/22/2021 9:44 AM - Skern - C:\pwworking\pwr\d3943057\K17443501.dwg - EXHIBIT #8

NESC VERTICAL CLEARANCE (FT) FROM TABLE 232.1	
NATURE OF SURFACE UNDERNEATH WIRES, CONDUCTORS OR CABLES	115KV
OTHER AREAS TRAVERSED BY VEHICLES, SUCH AS CULTIVATED, GRAZING, FOREST, AND ORCHARD LANDS, INDUSTRIAL SITES, COMMERCIAL SITES, ETC.	20.1



TOWNS OF CROYDON AND NEWPORT, N.H.



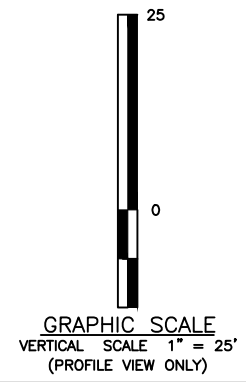
- NOTES:**
- VERTICAL DATUM IS NAVD88 IN FEET.
 - COORDINATE SYSTEM IS NEW HAMPSHIRE STATE PLANE NAD 83.
 - WIDTH OF STATE OF NH PROP FROM EAST OF STR. #75 TO WEST OF STR. #102 IS 11,686.7'. ADDITIONAL STATE LAND CROSSING WIDTH OF 175' BETWEEN STR. #103 AND THE EASTERLY BOUNDARY OF THE CORNISH TURNPIKE ROW.

STRUCTURE LOCATION:

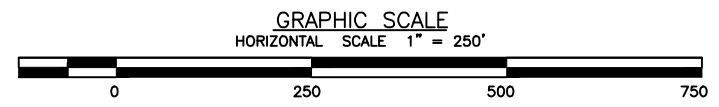
STR. #92 - LAT.= 43°25'2.699"N
LONG.= 72°14'18.747"W

STR. #93 - LAT.= 43°25'1.558"N
LONG.= 72°14'26.576"W

STR. #94 - LAT.= 43°25'0.495"N
LONG.= 72°14'33.578"W



CABLE SCHEDULE						
WIRE	QTY OF CABLES	DESCRIPTION	DESIGN CONDITIONS			
			MAX DESIGN TENSION (lb)	TEMP (°F)	ICE (in)	WIND (psf)
CONDUCTOR	3	ACSR, 795 kcmil 36/1, COOT	4500	0	0.5	4
STATIC	1	7 No. 8 AW	4500	0	0.5	4
OPGW	1	IN-CAB 48F Ø.457 OPGW-C-A-48	3500	0	0.5	4



DWG REV	EPN/DESCRIPTION	CONT/PE#	DATE	DRN	CHKD	APPR
2	REVISED TO PUC		01/20/21	SEK	BRS	GEL
1	ISSUED TO PUC		07/02/20	SEK	BRS	GEL

EVERSOURCE ENERGY

LINE K174 115KV TRANSMISSION
STATE OWNED LAND CROSSING
CROYDON AND NEWPORT, N.H.
EXHIBIT #8

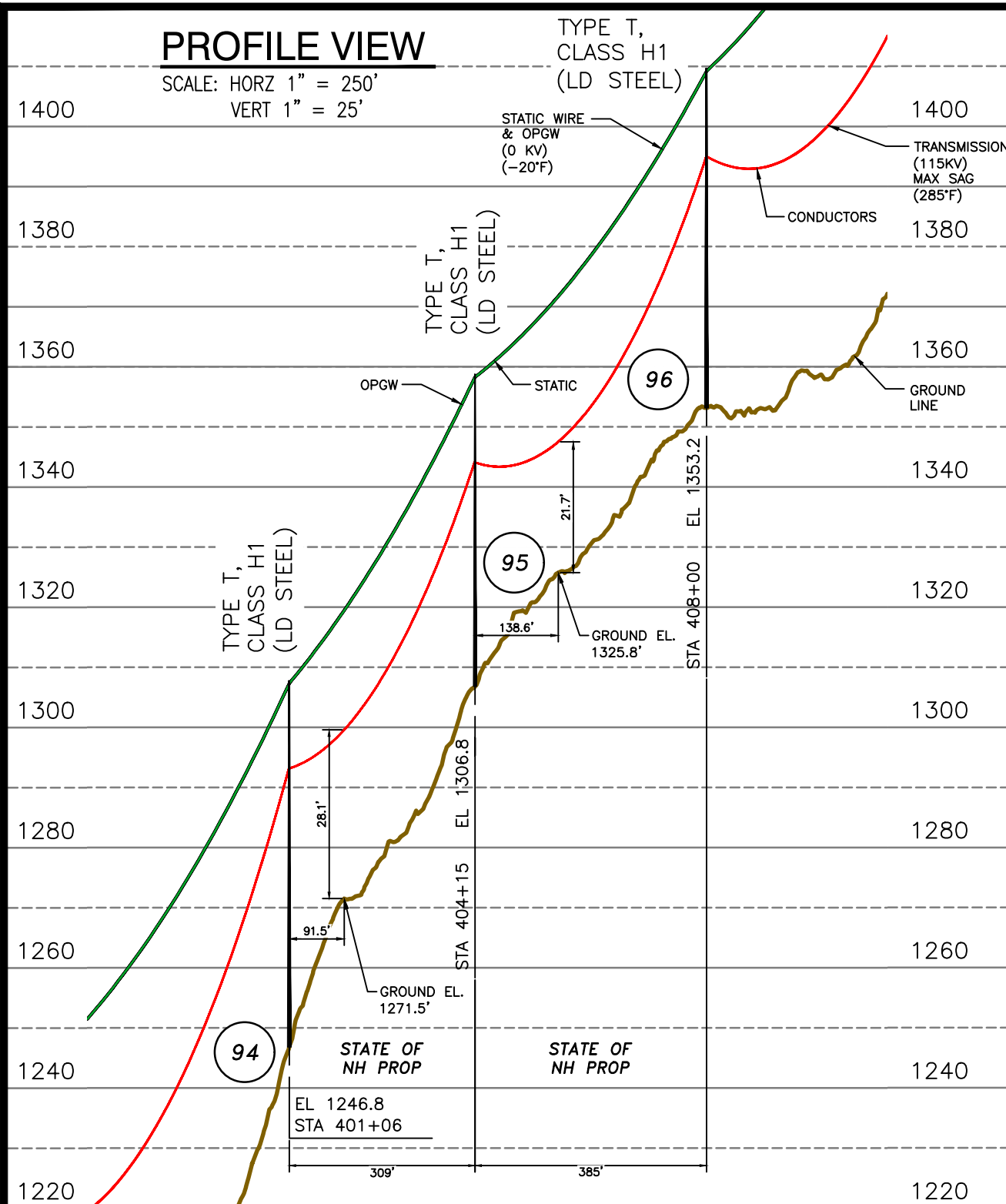
SCALE: AS SHOWN	FILE: K17443501.DWG	DRAWING NO.: K17443501
DATE: 07/02/20		

ES VER: 12/2016

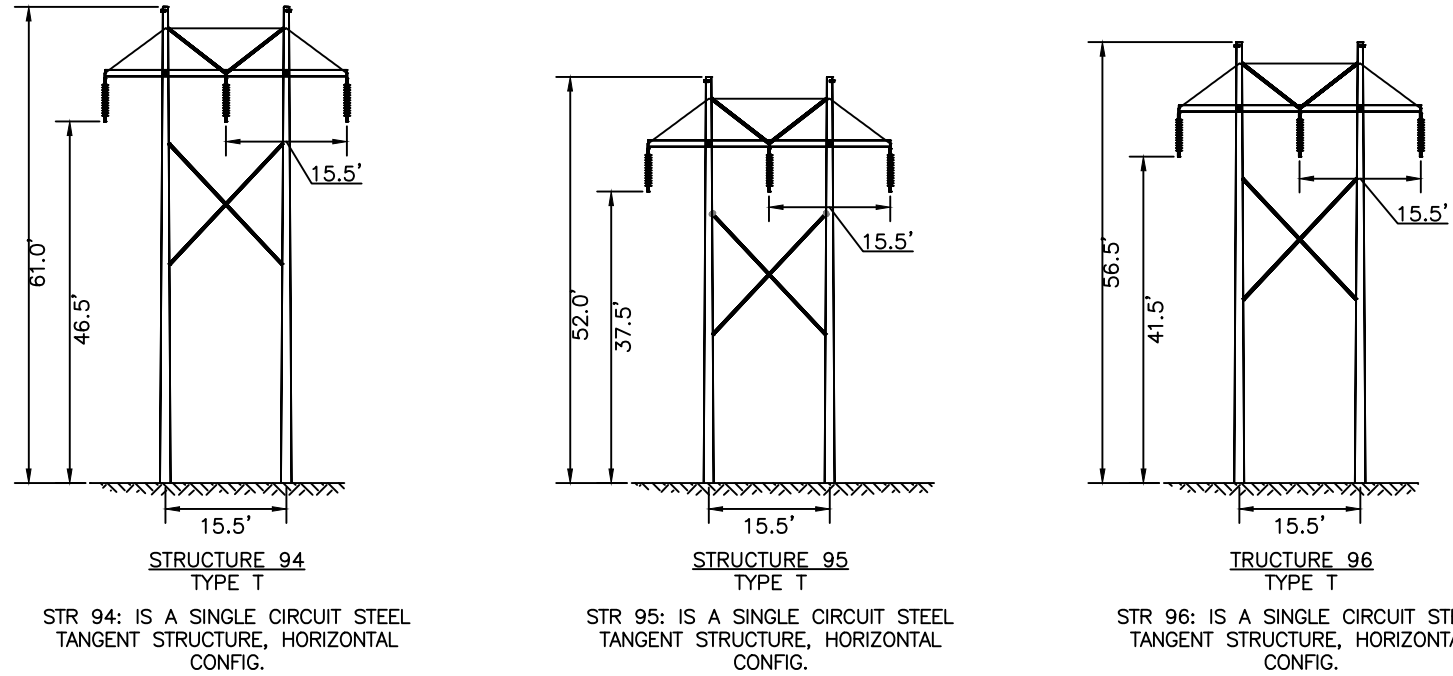
1/22/2021 9:44 AM - SKern - C:\pwworking\pwr\d3943057\K17443501.dwg - EXHIBIT #9

PROFILE VIEW

SCALE: HORZ 1" = 250'
VERT 1" = 25'

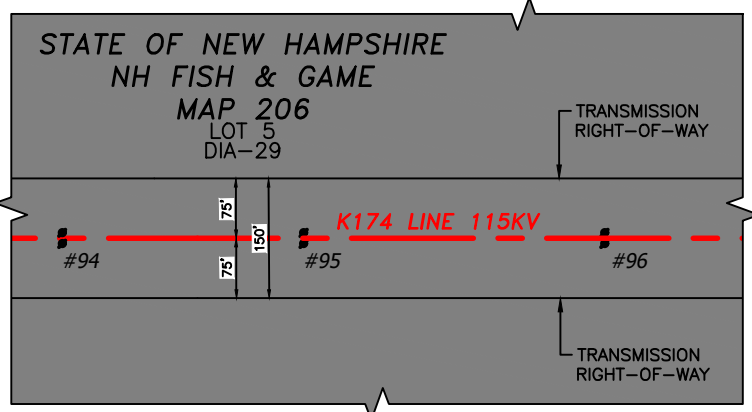


TOWN OF NEWPORT, N.H.



STRUCTURE DETAILS

SCALE: NTS



PLAN VIEW

SCALE: 1" = 250'
PARCEL LINEWORK FROM NH GRANIT UNLESS NOTED OTHERWISE.

PROFILE LEGEND:

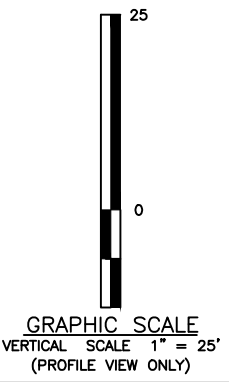
	OPGW
	STATIC WIRE
	TRANSMISSION WIRE
	GROUND LINE PROFILE
	PROPERTY LINE

NESC VERTICAL CLEARANCE (FT) FROM TABLE 232.1	
NATURE OF SURFACE UNDERNEATH WIRES, CONDUCTORS OR CABLES	115kV
OTHER AREAS TRAVERSED BY VEHICLES, SUCH AS CULTIVATED, GRAZING, FOREST, AND ORCHARD LANDS, INDUSTRIAL SITES, COMMERCIAL SITES, ETC.	20.1

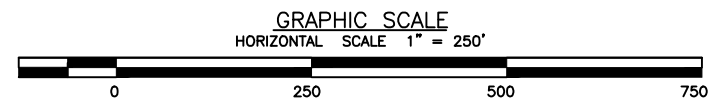
- NOTES:
- VERTICAL DATUM IS NAVD88 IN FEET.
 - COORDINATE SYSTEM IS NEW HAMPSHIRE STATE PLANE NAD 83.
 - WIDTH OF STATE OF NH PROP FROM EAST OF STR. #75 TO WEST OF STR. #102 IS 11,686.7'. ADDITIONAL STATE LAND CROSSING WIDTH OF 175' BETWEEN STR. #103 AND THE EASTERLY BOUNDARY OF THE CORNISH TURNPIKE ROW.

STRUCTURE LOCATION:

- STR. #94 - LAT.= 43°25'0.495"N
LONG.= 72°14'33.578"W
- STR. #95 - LAT.= 43°24'59.885"N
LONG.= 72°14'37.683"W
- STR. #96 - LAT.= 43°24'59.125"N
LONG.= 72°14'42.797"W



CABLE SCHEDULE						
WIRE	QTY OF CABLES	DESCRIPTION	DESIGN CONDITIONS			
			MAX DESIGN TENSION (lb)	TEMP (°F)	ICE (in)	WIND (psf)
CONDUCTOR	3	ACSR, 795 kcmil 36/1, COOT	4500	0	0.5	4
STATIC	1	7 No. 8 AW	4500	0	0.5	4
OPGW	1	IN CAB 48F Ø.457 OPGW-C-A-48	3500	0	0.5	4



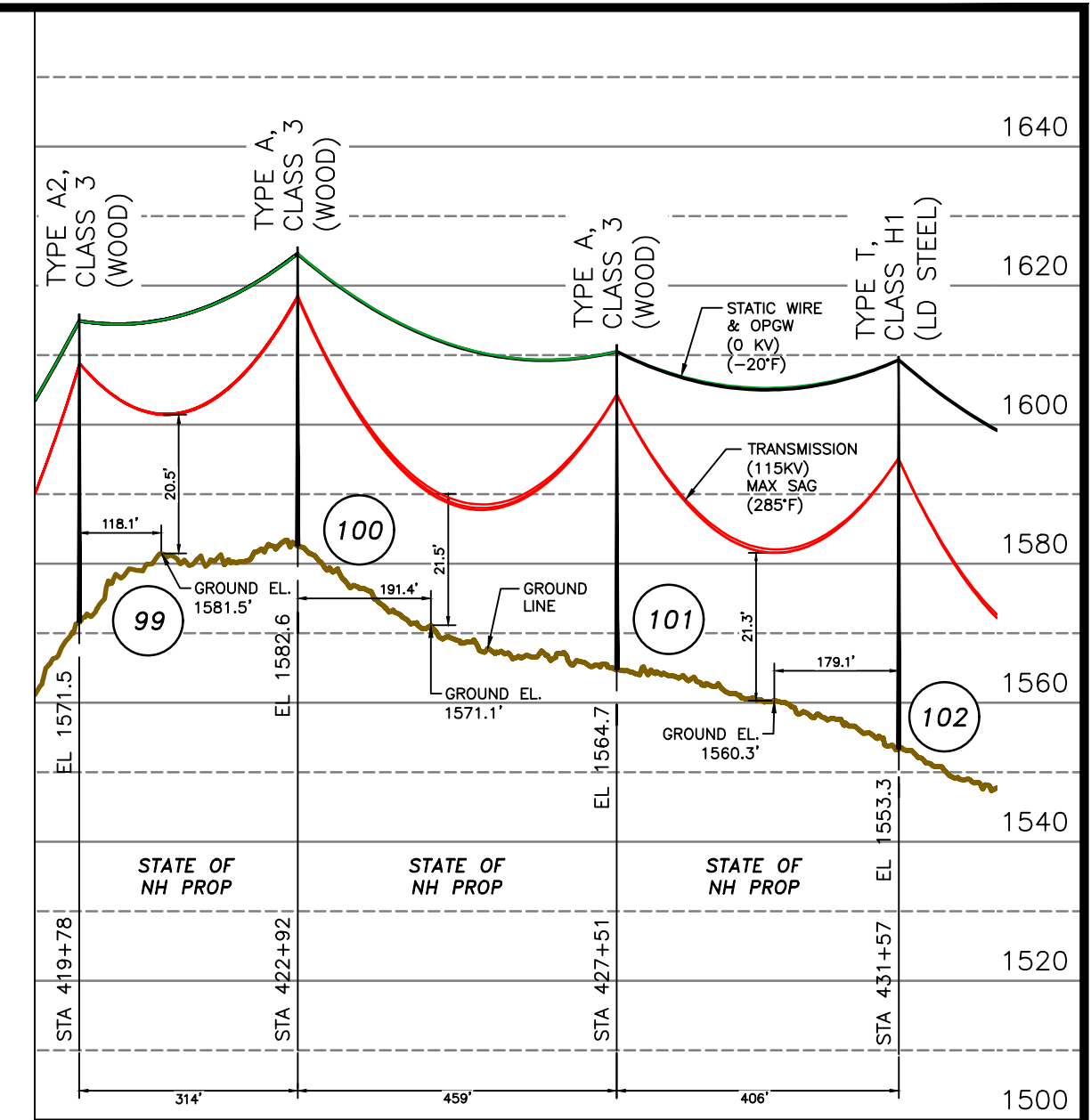
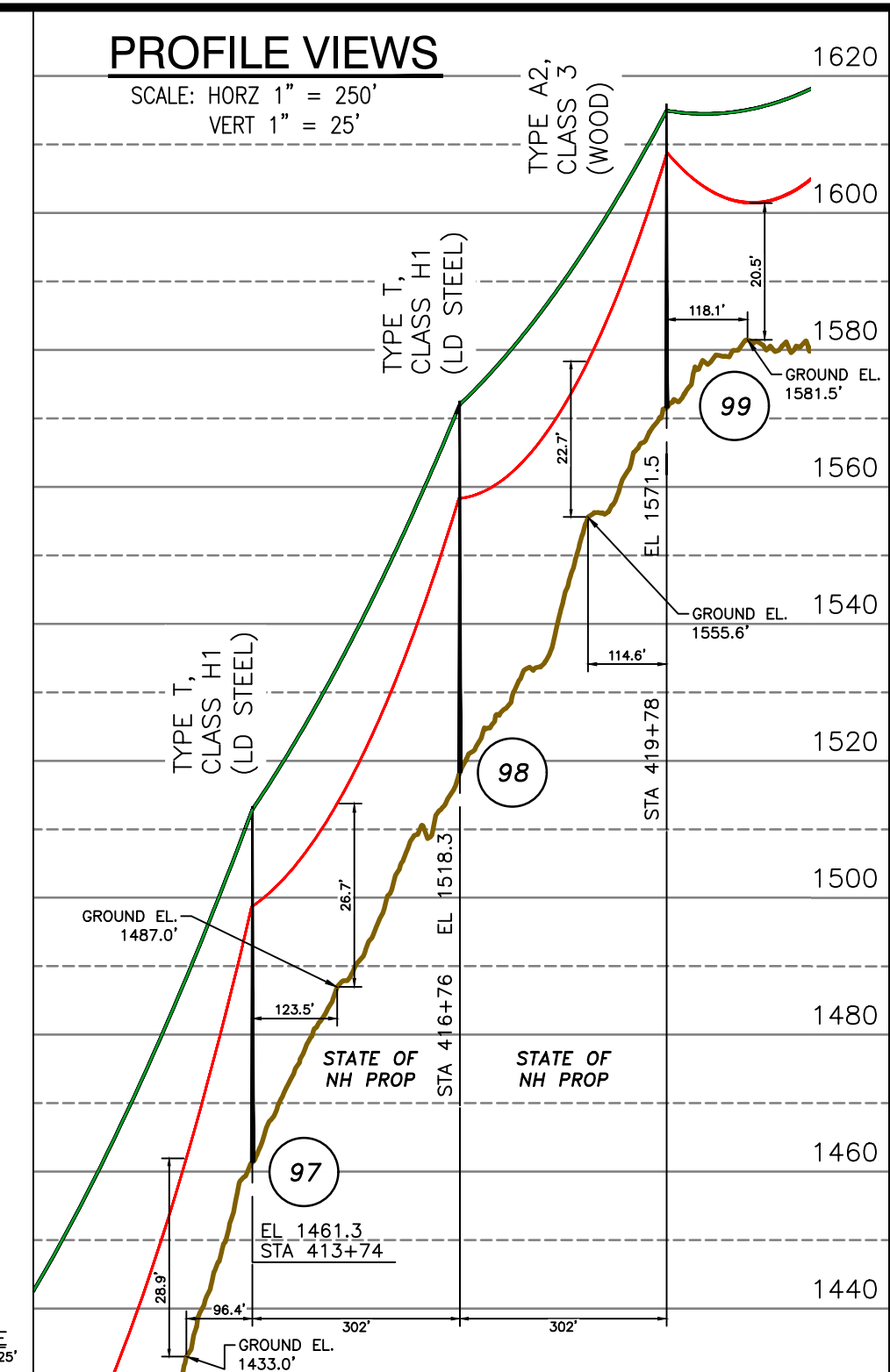
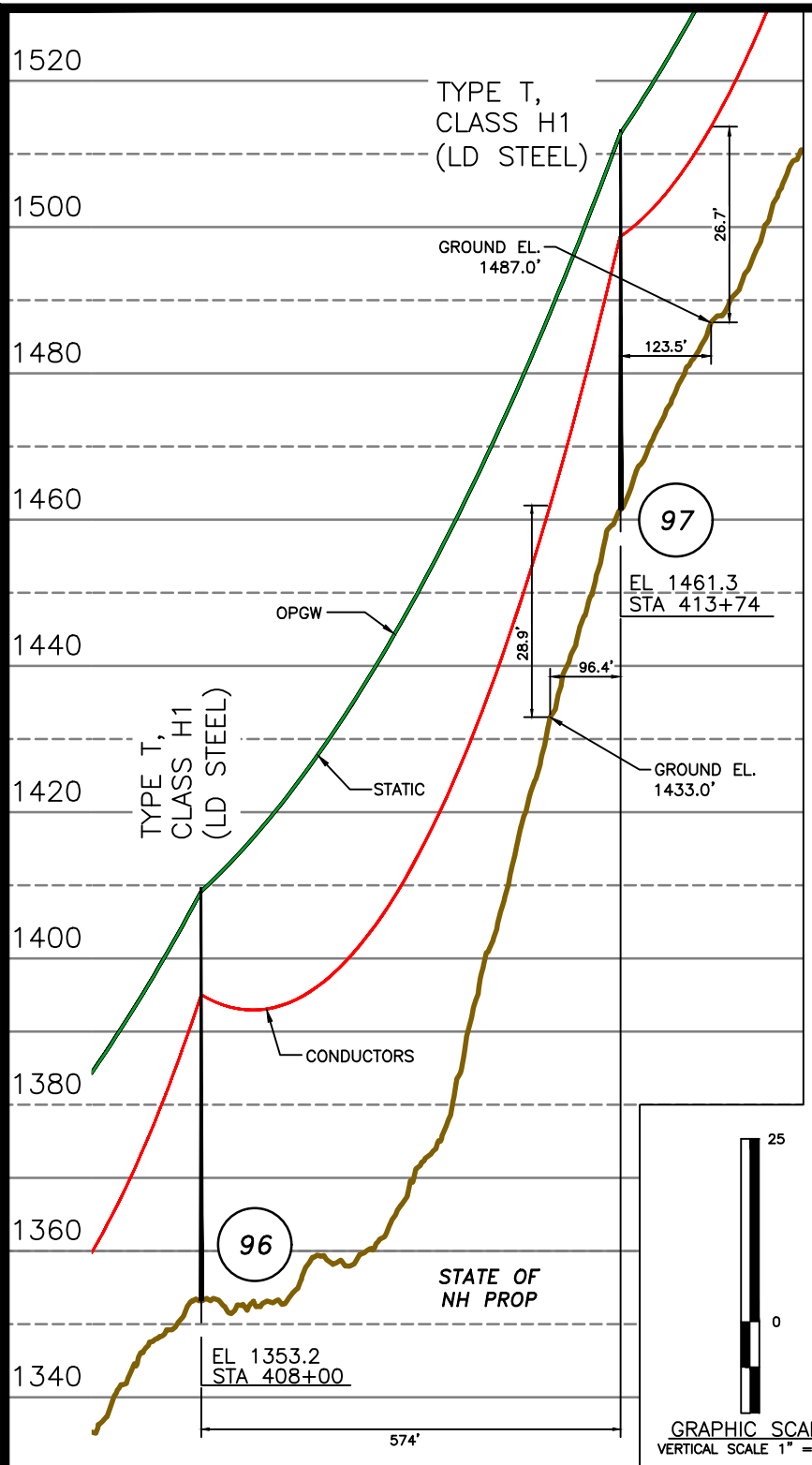
DWG REV	EPN/DESCRIPTION	CONT/PE#	DATE	DRN	CHKD	APPR
2	REVISED TO PUC		01/20/21	SEK	BRS	GEL
1	ISSUED TO PUC		07/02/20	SEK	BRS	GEL

EVERSOURCE ENERGY

LINE K174 115KV TRANSMISSION
STATE OWNED LAND CROSSING
NEWPORT, N.H.
EXHIBIT #9

SCALE AS SHOWN	FILE: K17443501.DWG IMAGE:	DRAWING NO. K17443501	T 2 DRAWN DRL/TRC ENGINEER GEL/TRC CHECKED SAL/TRC APPROVED GEL/TRC DATE 07/02/20
-------------------	-------------------------------	---------------------------------	---

1/26/2021 12:36 PM - SKern - C:\Users\skern\OneDrive - Eversource TLine Cons...K17443501.dwg - EXHIBIT #10-A ES VER: 12/2016



- NOTES:**
1. VERTICAL DATUM IS NAVD88 IN FEET.
 2. COORDINATE SYSTEM IS NEW HAMPSHIRE STATE PLANE NAD 83.
 3. WIDTH OF STATE OF NH PROP FROM EAST OF STR. #75 TO WEST OF STR. #102 IS 11,686.7'. ADDITIONAL STATE LAND CROSSING WIDTH OF 175' BETWEEN STR. #103 AND THE EASTERLY BOUNDARY OF THE CORNISH TURNPIKE ROW.

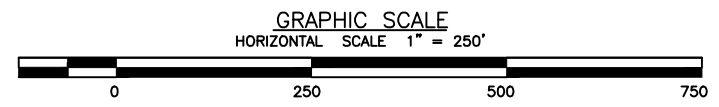
PROFILE LEGEND:

	OPGW
	STATIC WIRE
	TRANSMISSION WIRE
	GROUND LINE PROFILE
	PROPERTY LINE

STRUCTURE LOCATION:
SEE CORRESPONDING PLAN
VIEW FOR LAT/LONG.

NESV VERTICAL CLEARANCE (FT) FROM TABLE 232.1	
NATURE OF SURFACE UNDERNEATH WIRES, CONDUCTORS OR CABLES	115kV
OTHER AREAS TRAVERSED BY VEHICLES, SUCH AS CULTIVATED, GRAZING, FOREST, AND ORCHARD LANDS, INDUSTRIAL SITES, COMMERCIAL SITES, ETC.	20.1

CABLE SCHEDULE						
WIRE	QTY OF CABLES	DESCRIPTION	DESIGN CONDITIONS			
			MAX DESIGN TENSION (lb)	TEMP (°F)	ICE (in)	WIND (psf)
CONDUCTOR	3	ACSR, 795 kcmil 36/1, COOT	4500	0	0.5	4
STATIC	1	7 No. 8 AW	4500	0	0.5	4
OPGW	1	INCB 48F Ø.457 OPGW-C-A-48	3500	0	0.5	4



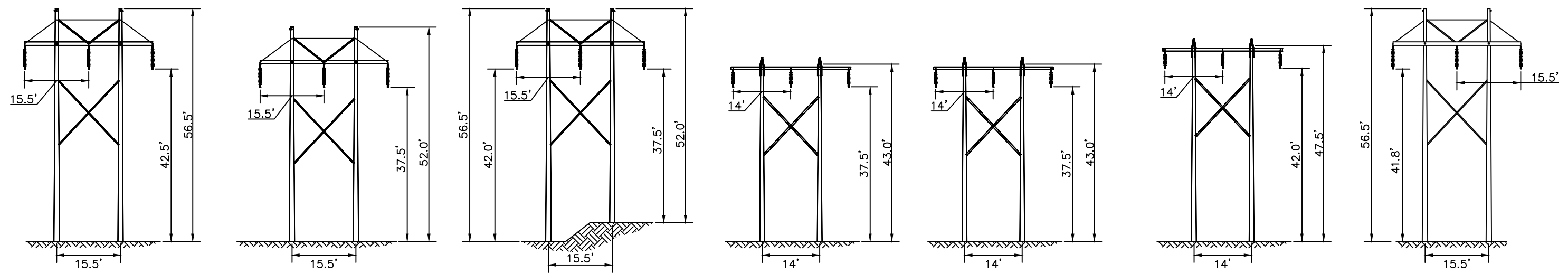
DWG REV	EPN/DESCRIPTION	CONT/PE#	DATE	DRN	CHKD	APPR
2	REVISED TO PUC		01/27/21	SEK	BRS	GEL
1	ISSUED TO PUC		07/02/20	SEK	BRS	GEL

**LINE K174 115KV TRANSMISSION
STATE OWNED LAND CROSSING
NEWPORT, N.H.
EXHIBIT #10**

SCALE AS SHOWN	FILE: K17443501.DWG IMAGE:	DRAWING NO. K17443501	T 2 DRAWN DRL/TRC ENGINEER GEL/TRC CHECKED SAL/TRC APPROVED GEL/TRC DATE 07/02/20
-------------------	-------------------------------	---------------------------------	---

1/26/2021 12:33 PM - SKern - C:\Users\skern\OneDrive - TRC\301411 - Eversource TLine Cons...K17443501.dwg - EXHIBIT #10-B ES VER: 12/2016

TOWN OF NEWPORT, N.H.



STRUCTURE 96
TYPE T
STR 96: IS A SINGLE CIRCUIT STEEL TANGENT STRUCTURE, HORIZONTAL CONFIG.

STRUCTURE 97
TYPE T
STR 97: IS A SINGLE CIRCUIT STEEL TANGENT STRUCTURE, HORIZONTAL CONFIG.

STRUCTURE 98
TYPE T
STR 98: IS A SINGLE CIRCUIT STEEL TANGENT STRUCTURE, HORIZONTAL CONFIG.

STRUCTURE 99
TYPE A2
STR 99: IS A SINGLE CIRCUIT WOOD TANGENT STRUCTURE, HORIZONTAL CONFIG.

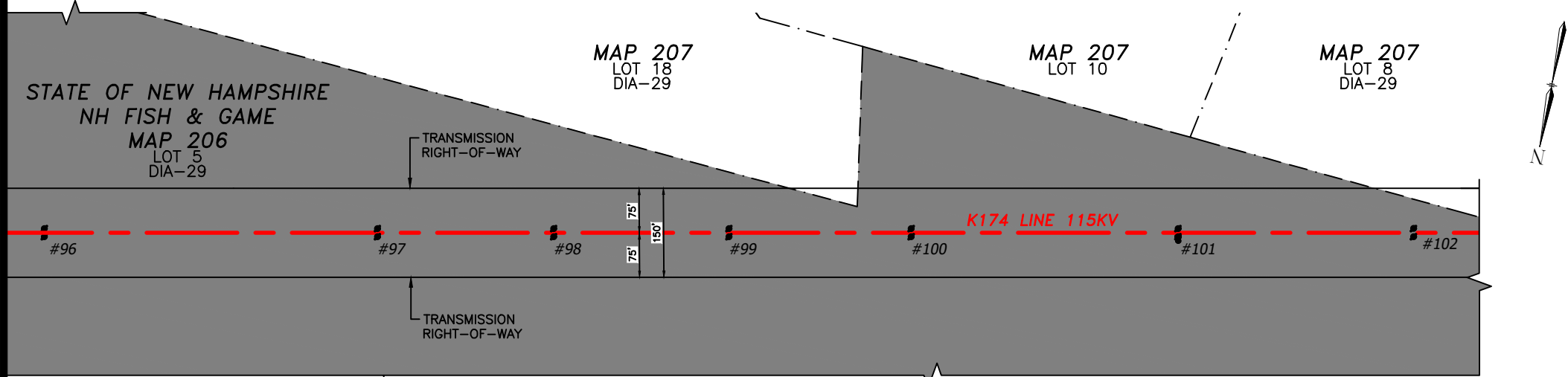
STRUCTURE 100
TYPE A
STR 100: IS A SINGLE CIRCUIT WOOD TANGENT STRUCTURE, HORIZONTAL CONFIG.

STRUCTURE 101
TYPE A
STR 101: IS A SINGLE CIRCUIT WOOD TANGENT STRUCTURE, HORIZONTAL CONFIG.

STRUCTURE 102
TYPE T
STR 102: IS A SINGLE CIRCUIT STEEL TANGENT STRUCTURE, HORIZONTAL CONFIG.

STRUCTURE DETAILS

SCALE: NTS



STRUCTURE LOCATION:

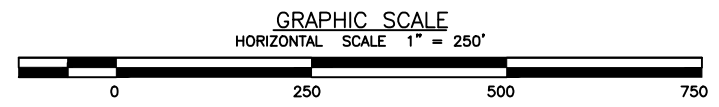
- STR. #96 - LAT.= 43°24'59.125"N
LONG.= 72°14'42.797"W
- STR. #97 - LAT.= 43°24'57.993"N
LONG.= 72°14'50.405"W
- STR. #98 - LAT.= 43°24'57.395"N
LONG.= 72°14'54.426"W
- STR. #99 - LAT.= 43°24'56.808"N
LONG.= 72°14'58.434"W
- STR. #100 - LAT.= 43°24'56.185"N
LONG.= 72°15'2.598"W
- STR. #101 - LAT.= 43°24'55.271"N
LONG.= 72°15'8.692"W
- STR. #102 - LAT.= 43°24'54.473"N
LONG.= 72°15'14.075"W

PLAN VIEW

SCALE: 1" = 250'
PARCEL LINEWORK FROM NH GRANIT
UNLESS NOTED OTHERWISE.

CABLE SCHEDULE

WIRE	QTY OF CABLES	DESCRIPTION	DESIGN CONDITIONS			
			MAX DESIGN TENSION (lb)	TEMP (°F)	ICE (in)	WIND (psf)
CONDUCTOR	3	ACSR, 795 kcmil 36/1, COOT	4500	0	0.5	4
STATIC	1	7 No. 8 AW	4500	0	0.5	4
OPGW	1	IN CAB 48F Ø.457 OPGW-C-A-48	3500	0	0.5	4



DWG REV	EPN/DESCRIPTION	CONT/PE#	DATE	DRN	CHKD	APPR
2	REVISED TO PUC		01/27/21	SEK	BRS	GEL
1	ISSUED TO PUC		07/02/20	SEK	BRS	GEL

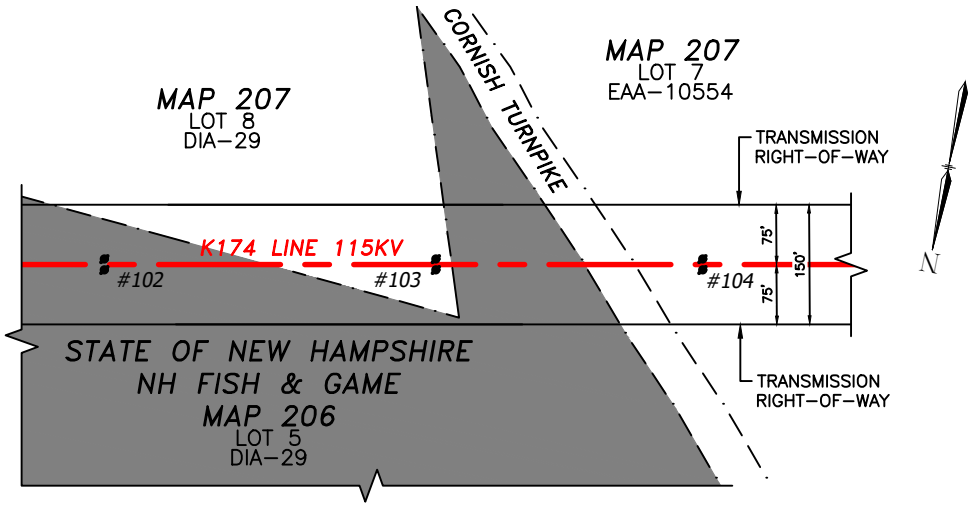
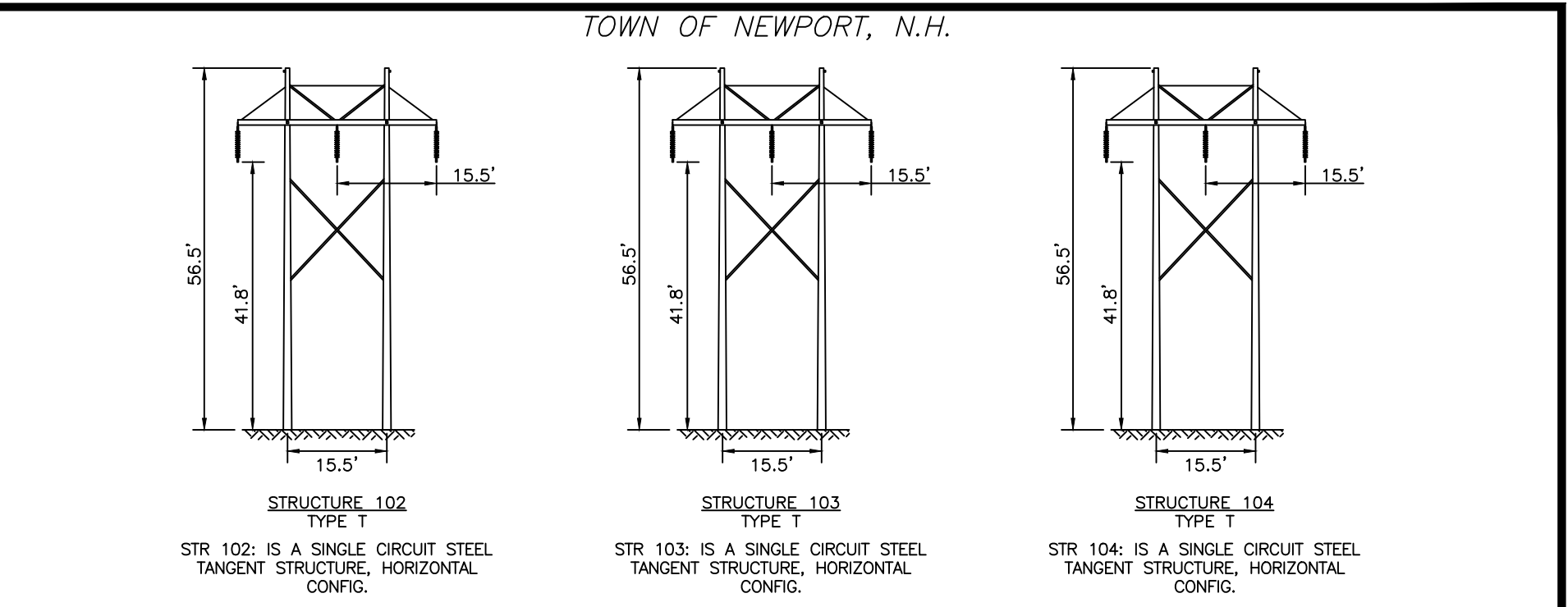
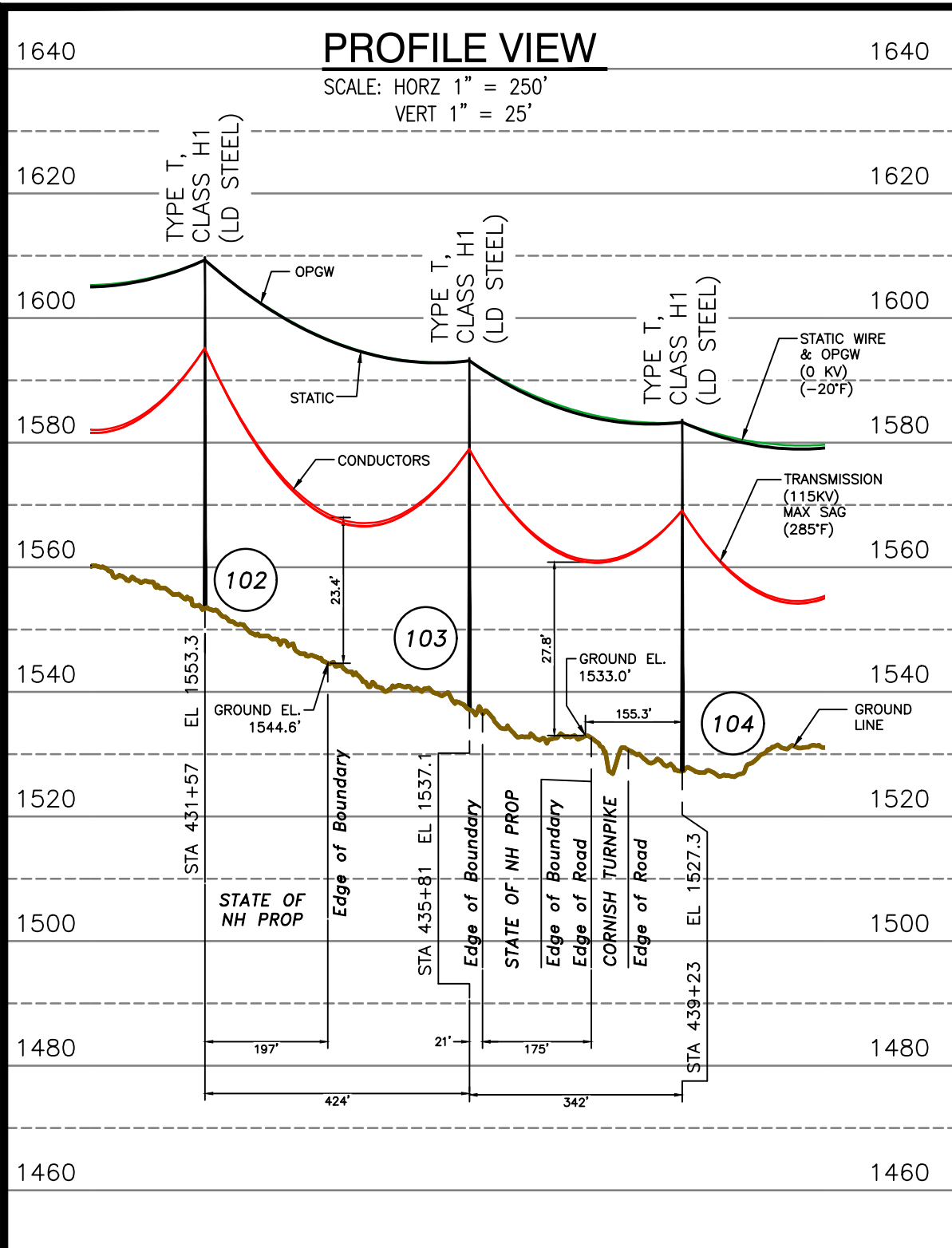
- NOTES:
- VERTICAL DATUM IS NAVD88 IN FEET.
 - COORDINATE SYSTEM IS NEW HAMPSHIRE STATE PLANE NAD 83.
 - WIDTH OF STATE OF NH PROP FROM EAST OF STR. #75 TO WEST OF STR. #102 IS 11,686.7'. ADDITIONAL STATE LAND CROSSING WIDTH OF 175' BETWEEN STR. #103 AND THE EASTERLY BOUNDARY OF THE CORNISH TURNPIKE ROW.

EVERSOURCE ENERGY

LINE K174 115KV TRANSMISSION
STATE OWNED LAND CROSSING
NEWPORT, N.H.
EXHIBIT #10A

SCALE AS SHOWN	FILE: K17443501.DWG IMAGE:	DRAWING NO. K17443501
----------------	-------------------------------	---------------------------------

1/26/2021 12:44 PM - SKern - C:\Users\skern\OneDrive - TRC\301411 - Eversource TLine Cons...K17443501.dwg - EXHIBIT #11 ES VER: 12/2016



NESC VERTICAL CLEARANCE (FT) FROM TABLE 232.1	
NATURE OF SURFACE UNDERNEATH WIRES, CONDUCTORS OR CABLES	115kV
OTHER AREAS TRAVERSED BY VEHICLES, SUCH AS CULTIVATED, GRAZING, FOREST, AND ORCHARD LANDS, INDUSTRIAL SITES, COMMERCIAL SITES, ETC.	20.1

- NOTES:**
- VERTICAL DATUM IS NAVD88 IN FEET.
 - COORDINATE SYSTEM IS NEW HAMPSHIRE STATE PLANE NAD 83.
 - WIDTH OF STATE OF NH PROP FROM EAST OF STR. #75 TO WEST OF STR. #102 IS 11,686.7'. ADDITIONAL STATE LAND CROSSING WIDTH OF 175' BETWEEN STR. #103 AND THE EASTERLY BOUNDARY OF THE CORNISH TURNPIKE ROW.

STRUCTURE LOCATION:

STR. #102 - LAT.= 43°24'54.473"N
LONG.= 72°15'14.075"W

STR. #103 - LAT.= 43°24'53.635"N
LONG.= 72°15'19.71"W

STR. #104 - LAT.= 43°24'52.96"N
LONG.= 72°15'24.246"W

GRAPHIC SCALE
VERTICAL SCALE 1" = 25'
(PROFILE VIEW ONLY)

CABLE SCHEDULE						
WIRE	QTY OF CABLES	DESCRIPTION	DESIGN CONDITIONS			
			MAX DESIGN TENSION (lb)	TEMP (°F)	ICE (in)	WIND (psf)
CONDUCTOR	3	ACSR, 795 kcmil 36/1, COOT	4500	0	0.5	4
STATIC	1	7 No. 8 AW	4500	0	0.5	4
OPGW	1	IN-CAB 48F Ø.457 OPGW-C-A-48	3500	0	0.5	4

GRAPHIC SCALE
HORIZONTAL SCALE 1" = 250'

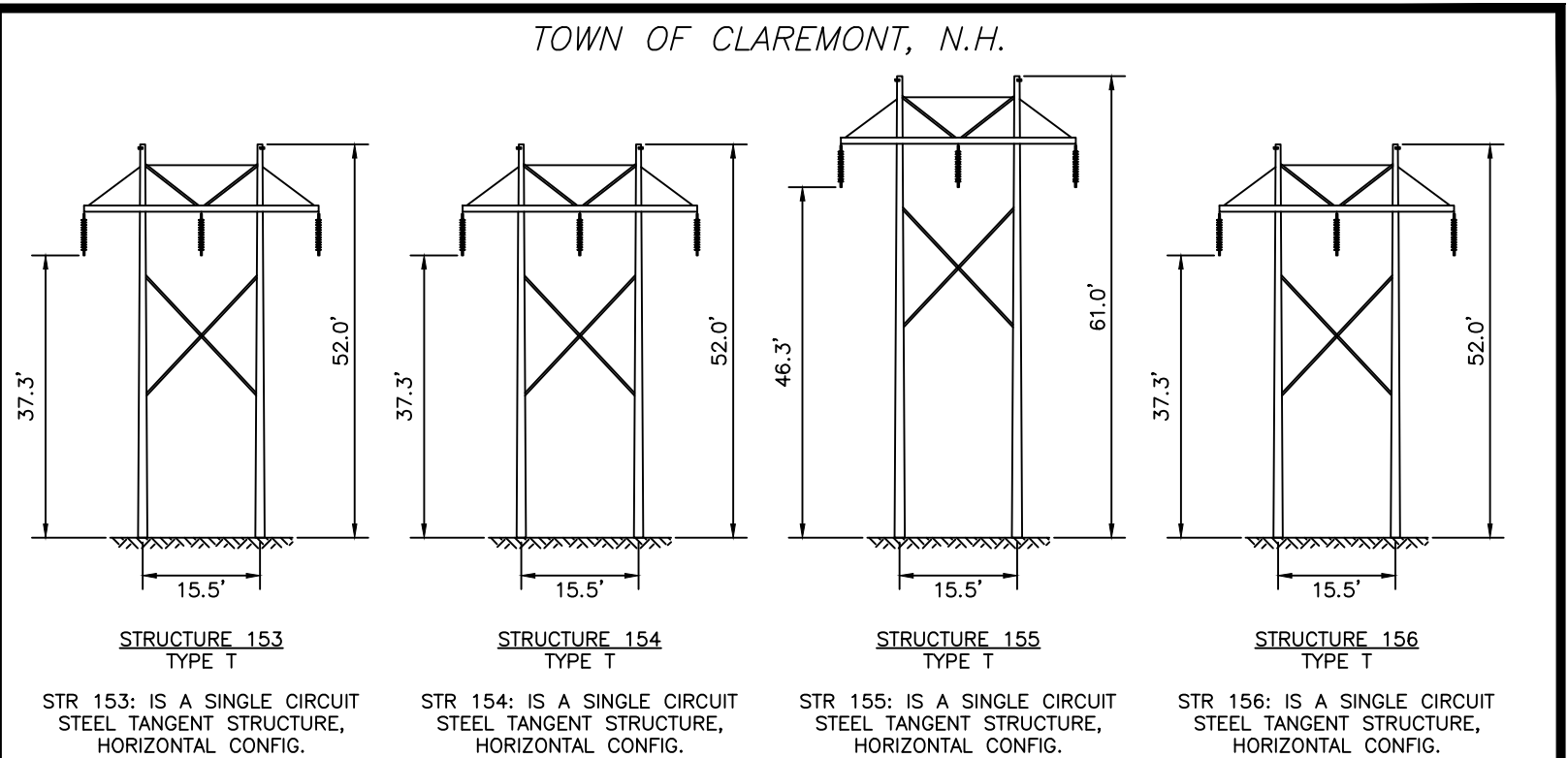
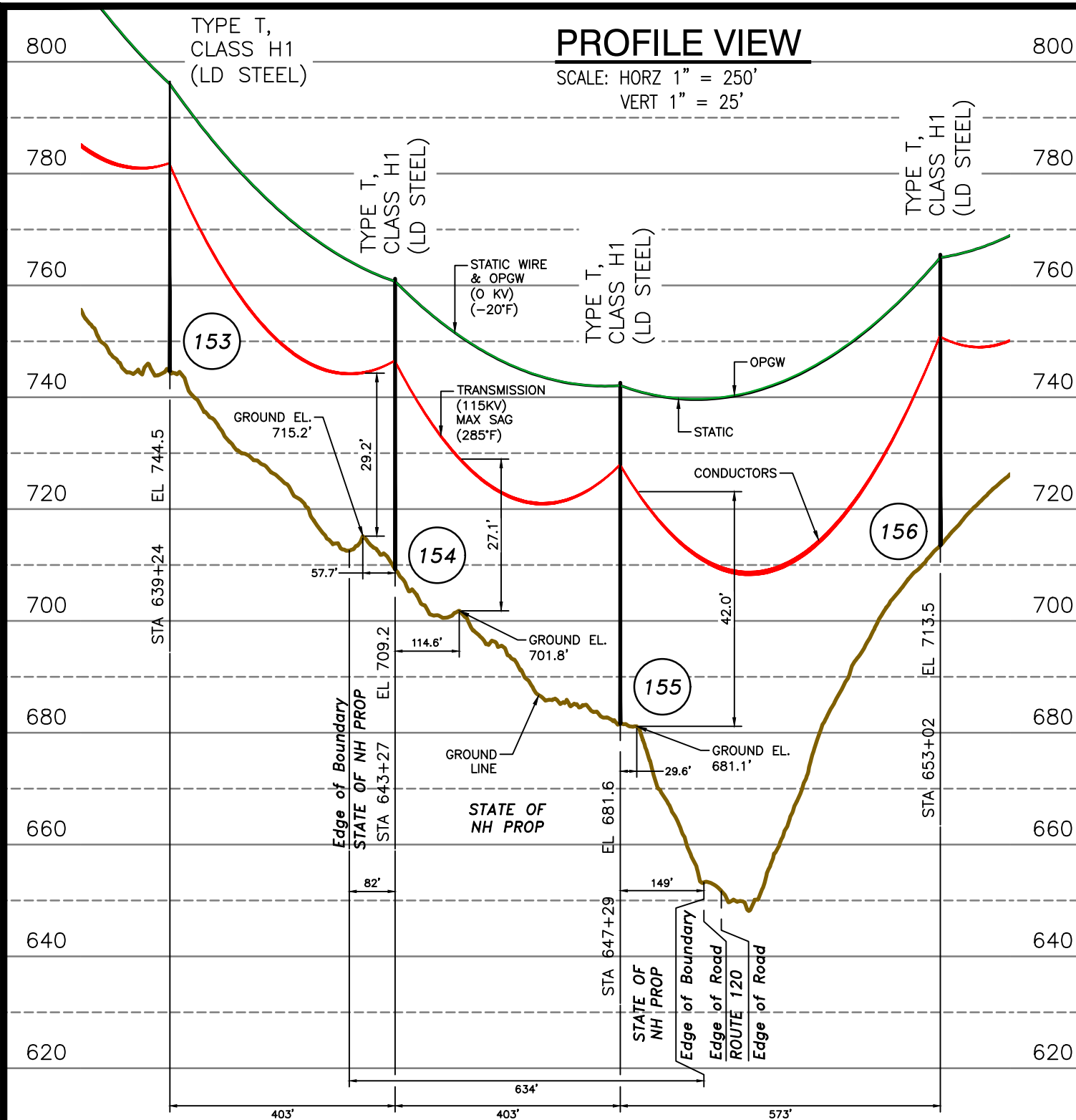
DWG REV	EPN/DESCRIPTION	CONT/PE#	DATE	DRN	CHKD	APPR
2	REVISED TO PUC		01/27/21	SEK	BRS	GEL
1	ISSUED TO PUC		07/02/20	SEK	BRS	GEL

EVERSOURCE ENERGY

LINE K174 115KV TRANSMISSION
STATE OWNED LAND CROSSING
NEWPORT, N.H.
EXHIBIT #11

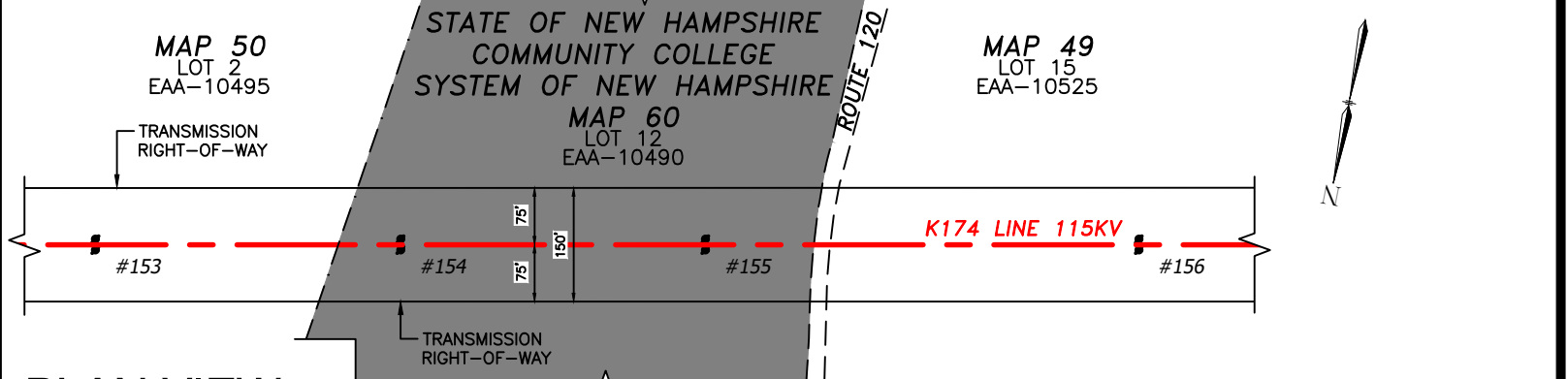
SCALE AS SHOWN	FILE: K17443501.DWG IMAGE:	DRAWING NO. K17443501
----------------	-------------------------------	---------------------------------

T	2
DRAWN	DRL/TRC
ENGINEER	GEL/TRC
CHECKED	SAL/TRC
APPROVED	GEL/TRC
DATE	07/02/20



STRUCTURE DETAILS

SCALE: NTS



PLAN VIEW

SCALE: 1" = 250'
PARCEL LINEWORK FROM NH GRANIT UNLESS NOTED OTHERWISE.

- NOTES:
- VERTICAL DATUM IS NAVD88 IN FEET.
 - COORDINATE SYSTEM IS NEW HAMPSHIRE STATE PLANE NAD 83.

PROFILE LEGEND:

	STATIC WIRE		GROUND LINE PROFILE
	TRANSMISSION WIRE		PROPERTY LINE
	OPGW		

NESV VERTICAL CLEARANCE (FT) FROM TABLE 232.1	
NATURE OF SURFACE UNDERNEATH WIRES, CONDUCTORS OR CABLES	115KV
OTHER AREAS TRAVERSED BY VEHICLES, SUCH AS CULTIVATED, GRAZING, FOREST, AND ORCHARD LANDS, INDUSTRIAL SITES, COMMERCIAL SITES, ETC.	20.1

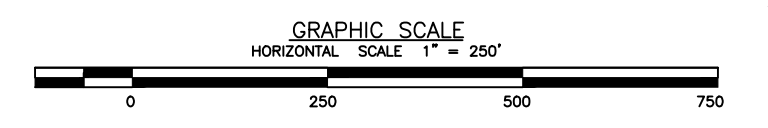
STRUCTURE LOCATION:

STR. #153	- LAT. = 43°24'13.371"N	LONG. = 72°19'49.708"W
STR. #154	- LAT. = 43°24'12.571"N	LONG. = 72°19'55.056"W
STR. #155	- LAT. = 43°24'11.772"N	LONG. = 72°20'0.4"W
STR. #156	- LAT. = 43°24'10.636"N	LONG. = 72°20'7.999"W

GRAPHIC SCALE
VERTICAL SCALE 1" = 25'
(PROFILE VIEW ONLY)

CABLE SCHEDULE

WIRE	QTY OF CABLES	DESCRIPTION	DESIGN CONDITIONS			
			MAX DESIGN TENSION (lb)	TEMP (°F)	ICE (in)	WIND (psf)
CONDUCTOR	3	ACSR, 795 kcmil 36/1, COOT	5000	0	0.5	4
STATIC	1	7 No. 8 AW	4000	0	0.5	4
OPGW	1	INCAB 48F Ø.457 OPGW-C-A-48	3500	0	0.5	4



DWG REV	EPN/DESCRIPTION	CONT/PE#	DATE	DRN	CHKD	APPR
2	RE-ISSUED TO PUC		01/20/21	SEK	BRS	GEL
1	ISSUED TO PUC		06/12/20	SEK	BRS	GEL

LINE K174 115KV TRANSMISSION STATE OWNED LAND CROSSING CLAREMONT, N.H. EXHIBIT #12		T 2 DRAWN SEK/TRC ENGINEER GEL/TRC CHECKED NEB/TRC APPROVED GEL/TRC DATE 06/12/20
SCALE AS SHOWN	FILE: K17443502.DWG IMAGE:	DRAWING NO. K17443502