

THE STATE OF NEW HAMPSHIRE

CHAIRMAN
Thomas B. Getz

COMMISSIONERS
Graham J. Morrison
Clifton C. Below

EXECUTIVE DIRECTOR
AND SECRETARY
Debra A. Howland



PUBLIC UTILITIES COMMISSION

21 S. Fruit Street, Suite 10
Concord, N.H. 03301-2429

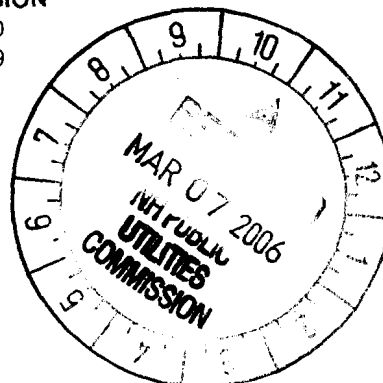
Tel. (603) 271-2431

FAX (603) 271-3878

TDD Access: Relay NH
1-800-735-2964

Website:
www.puc.nh.gov

March 7, 2006



Debra Howland
Executive Director
New Hampshire Public Utilities Commission
21 S. Fruit Street, Suite 10
Concord, New Hampshire 03301

Re: DT 05-083 Verizon New Hampshire
Wire Center Investigation

Dear Ms. Howland:

On February 8, 2006, the Staff of the Commission (Staff) filed a factual affidavit regarding its summary of certain facts contained in confidential discovery. Attached for filing is a revised copy of the five wire center diagrams which were a part of the factual affidavit. Staff has made six changes to the diagrams; correcting five typographical errors and acknowledging Staff's verification of the network belonging to CLEC 3 in Manchester.

I am available at 603.271.6030 if there are any questions about the foregoing.

Sincerely,

A handwritten signature in cursive script that reads "Lynn Fabrizio".

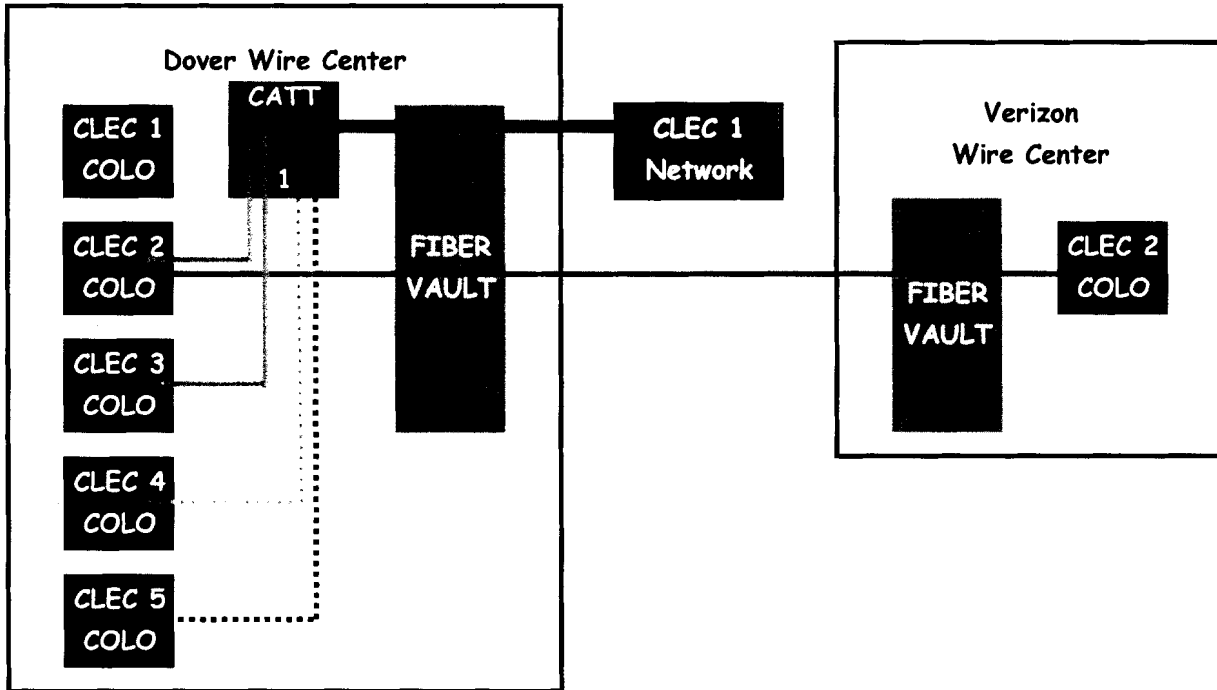
Lynn Fabrizio
Staff Attorney

Attachments: Diagrams of Dover, Keene, Manchester, Nashua and Portsmouth wire centers

cc: Service List

Dover, New Hampshire

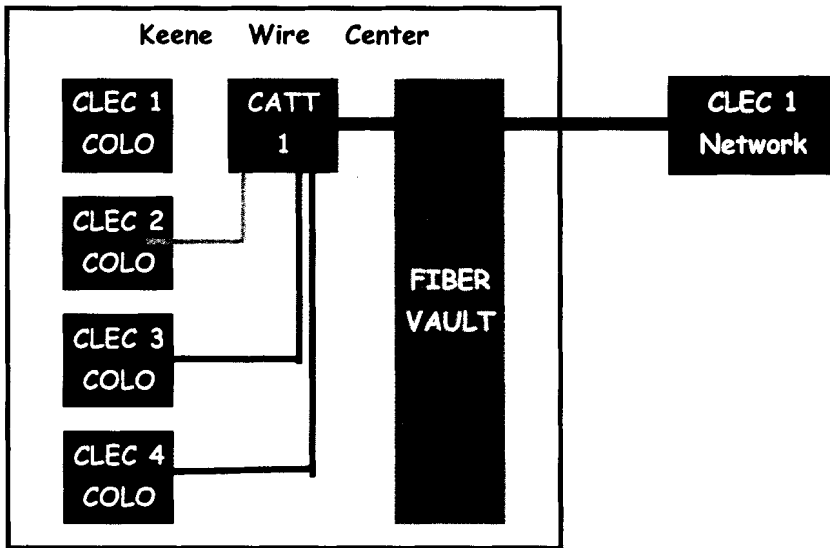
Verizon asserts three fiber-based collocators in Dover. CLEC 1 asserts it has executed contracts with four CLECs. A total of five unique CLECs were identified. Each of the CLECs are unaffiliated with Verizon and each maintains a collocation with active power in the wire center.



- 1 CLEC 1 is a competitive fiber provider that maintains a CATT arrangement in addition to its collocation in the Dover wire center. CLEC 1 owns fiber optic cable that terminates at its CATT collocation and leaves the wire center premises.
- 2a CLEC 2 owns fiber optic cable that terminates at its collocation and leaves the wire center premises. The fiber optic cable connects to its collocation at another Verizon wire center.
- - - - 2b CLEC 2 also obtains dark fiber strands on a five-year indefeasible right to use (IRU) basis from CLEC 1.
- - - - 3 CLEC 3 obtains dark fiber strands on a 20-year lease from CLEC 1.
- - - - 4 CLEC 4 executed a contract for services with CLEC 1, but affirms it has no fiber-based services in Dover. CLEC 1 concurs that connection is not yet installed.
- 5 CLEC 5 executed a contract for services with CLEC 1, but has no fiber-based services in Dover. CLEC 1 concurs that services were disconnected prior to March, 2005.

Keene, New Hampshire

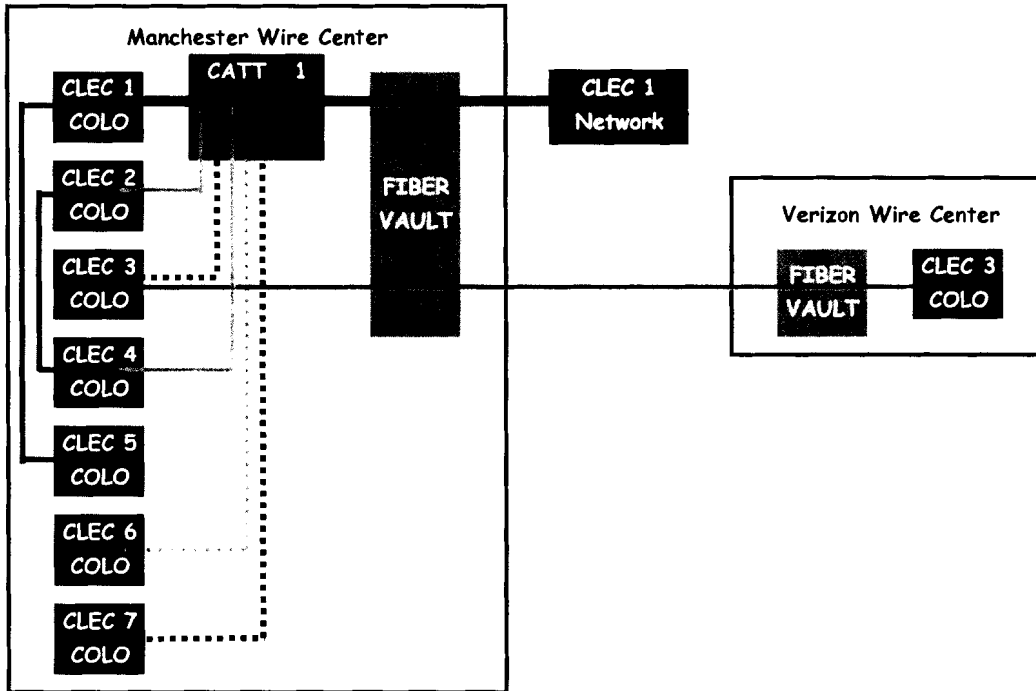
Verizon asserts four fiber-based collocators in ~~Dover~~ Keene. CLEC 1 asserts it has executed contracts with three CLECs. A total of four unique CLECs were identified. Each of the CLECs are unaffiliated with Verizon and each maintains a collocation with active power in the wire center.



- 1 CLEC 1 is a competitive fiber provider that maintains a CATT arrangement in addition to its collocation in the Keene wire center. CLEC 1 owns fiber optic cable that terminates at its CATT collocation and leaves the wire center premises.
- - - - 2 CLEC 3 obtains dark fiber strands on a 20-year lease from CLEC 1.
- 3 CLEC 3 leases an OC3 circuit from CLEC 1.
- 4 CLEC 3 leases a lit fiber circuit from CLEC 1.

Manchester, New Hampshire

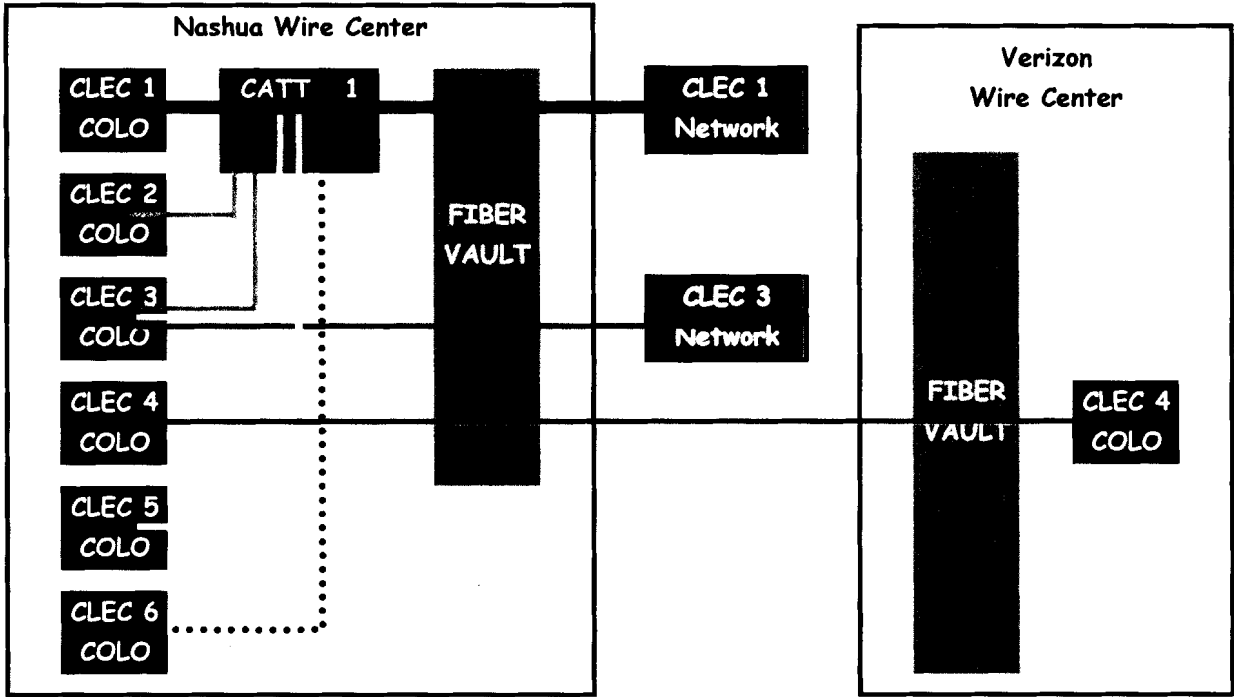
Verizon asserts six fiber-based collocators in ~~Dover~~ Manchester. CLEC 1 asserts it has executed contracts with six CLECs. A total of seven unique CLECs were identified. Each of the CLECs are unaffiliated with Verizon and each maintains a collocation with active power in the wire center.



- 1 CLEC 1 is a competitive fiber provider that maintains a CATT arrangement in addition to its collocation in the Manchester wire center. CLEC 1 owns fiber optic cable that terminates at its CATT collocation and leaves the wire center premises.
- - - - 2a CLEC 2 obtains dark fiber strands on a 20-year lease from CLEC 1.
- 2b CLEC 2 also connects dark fiber to CLEC 4 using DTS.
- 3a CLEC 3 owns fiber optic cable between two of its collocation sites.
- 3b CLEC 3 has a contract for fiber-based services from CLEC 1
CLEC 3 affirms high-speed transport between its collocations; round 3 discovery to clarify over which facilities this transport is transmitted. 3/7/06; diagram revised to reflect confirmation that CLEC 3 owns fiber-optic cable between two of its collocation sites that terminates in the collocation in Manchester.
- - - - 4a CLEC 4 obtains dark fiber strands on a 5-year lease from CLEC 1.
- 4b CLEC 4 uses DTS to connect dark fiber to CLEC 2.
- 5 CLEC 5 obtains dark fiber strands under a one-year term agreement with CLEC 1.
- 6 CLEC 6 executed a contract for services with CLEC 1, but affirms it has no fiber-based services in Manchester. CLEC 1 concurs that connection is not yet installed.
- 7 CLEC 7 executed a contract for services with CLEC 1, but has no fiber-based services in Manchester. CLEC 1 concurs that services were disconnected prior to March, 2005.

Nashua, New Hampshire

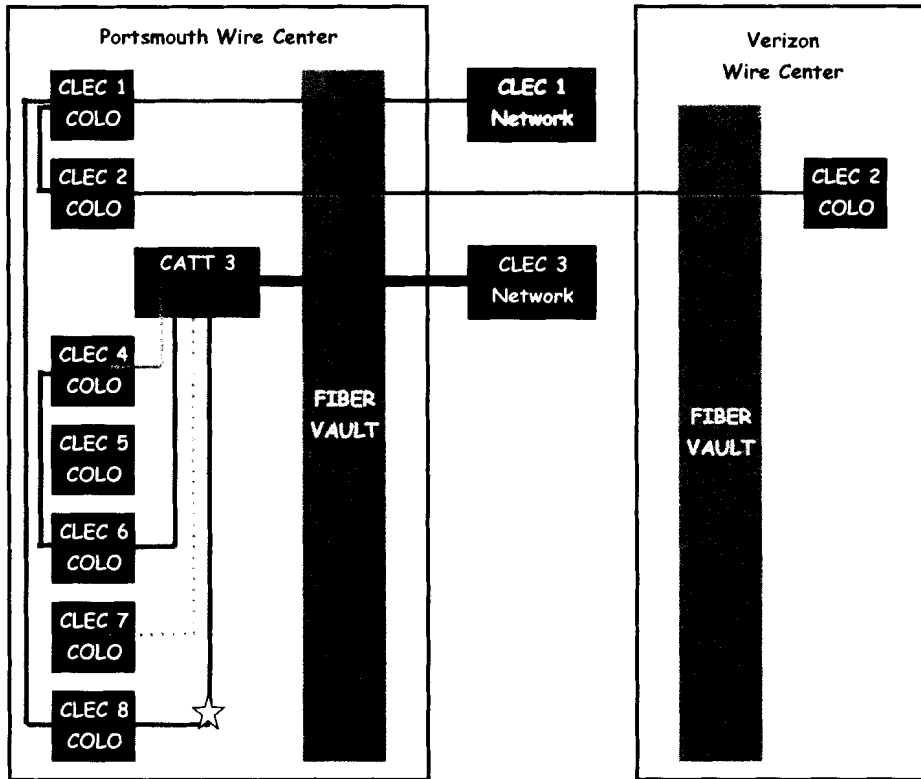
Verizon asserts six fiber-based collocators in ~~Dover~~ Nashua. CLEC 1 asserts it has executed contracts with four CLECs. A total of seven unique CLECs were identified. Each of the CLECs are unaffiliated with Verizon and each maintains a collocation with active power in the wire center.



- 1 CLEC 1 is a competitive fiber provider that maintains a CATT arrangement in addition to its collocation in the Dover wire center. CLEC 1 owns fiber optic cable that terminates at its CATT collocation and leaves the wire center premises.
- 2 CLEC 2 obtains dark fiber strands on a 20-year lease from CLEC 1.
- 3a CLEC 3 owns fiber optic cable that terminates at its collocation and leaves the wire center premises to connect to its network.
- 3b CLEC 3 also obtains dark fiber strands on a lease from CLEC 1.
- 3c CLEC 3 also obtains lit fiber circuits from CLEC 1.
- 4 CLEC 4 owns fiber optic cable between two of its collocation sites.
- 5 CLEC 5 obtains lit fiber circuits from CLEC 1.
- 6 CLEC 6 executed a contract for services with CLEC 1, but has no fiber-based services in Nashua. CLEC 1 concurs that services were disconnected prior to March, 2005.

Portsmouth, New Hampshire

Verizon asserts six fiber-based collocators in ~~Dover~~ Portsmouth. CLEC 1 asserts it has executed contracts with four CLECs. A total of eight unique CLECs were identified. Each of the CLECs are unaffiliated with Verizon and each maintains a collocation with active power in the wire center.



- 1a CLEC 1 owns fiber optic cable that terminates at its collocation and leaves the wire center premises to connect to its network.
- 1b CLEC 1 uses DTS to connect dark fiber to CLECs 2 and 8.
- 2a CLEC 2 owns fiber optic cable between two of its collocation sites.
- 2a CLEC 2 uses DTS to connect dark fiber to CLEC 1.
- 3 CLEC 3 is a competitive fiber provider that maintains a CATT arrangement in the Portsmouth wire center. CLEC 1 owns fiber optic cable that terminates at its CATT collocation and leaves the wire center premises.
- 4a CLEC 4 obtains dark fiber strands on a 20-year lease from CLEC 2-3.
- 4b CLEC 4 also connects dark fiber to CLEC 6 using DTS.
- 5 CLEC 5 was listed by Verizon. CLEC 5 attests that it has no fiber facilities in Portsmouth.
- 6 CLEC 6 leases an OC3 from CLEC 3.
- 7 CLEC 7 executed a contract for services with CLEC 3, but affirms it has no fiber-based services in Portsmouth. CLEC 3 concurs that connection is not yet installed.
- ★ 8 CLEC 8 leases an OC3 from an interexchange carrier (IXC), which is not a CLEC. The IXC reportedly leases dark fiber from CLEC 3.
- 8a CLEC 8 also leases a lit fiber product from CLEC 1 using DTS.