



**LOCATION PLAN**

*EXHIBIT 1*

**LEGEND:**

- 328 LINE ———
- PROPOSED 328 STR ●

**EVERSOURCE ENERGY**

328 34.5kV LINE  
 BETWEEN STR 42 AND 43  
 PISCATAQUOG RIVER, GOFFSTOWN, NH  
 1 OF 2

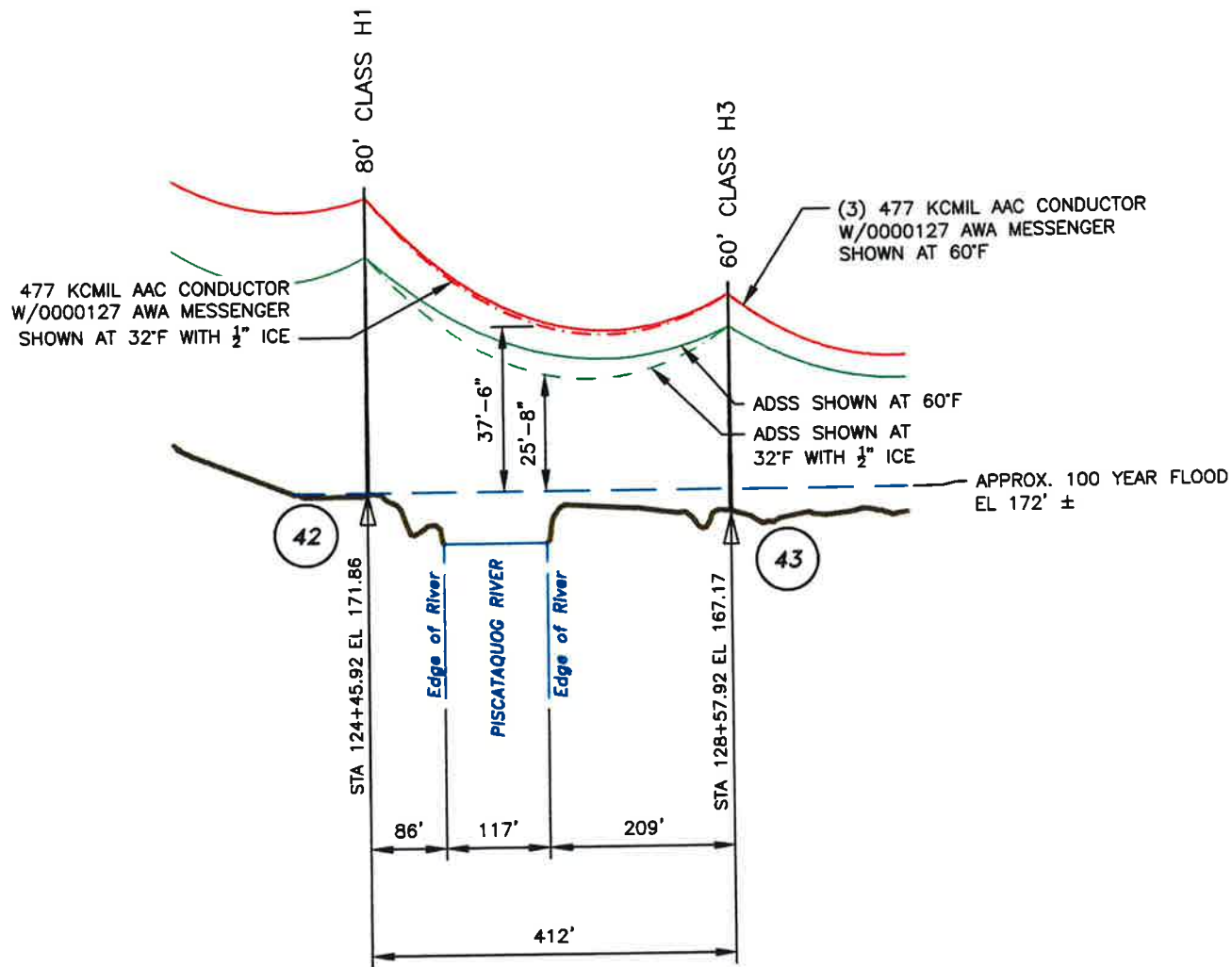
T	0
DRAWN DGM	
ENGINEER PHB	
CHECKED PHB	
APPROVED	
DATE 7/18/18	

0	SUBMITTED FOR REVIEW	8/8/18	DGM	PHB
DWG REV	EPN/DESCRIPTION	CONT/PE#	DATE	DRN CHKD APPR

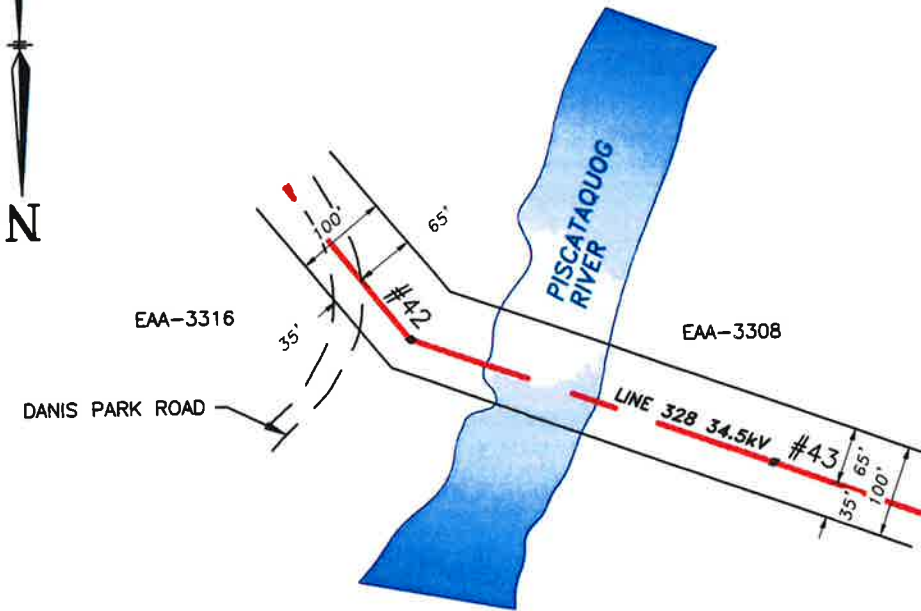
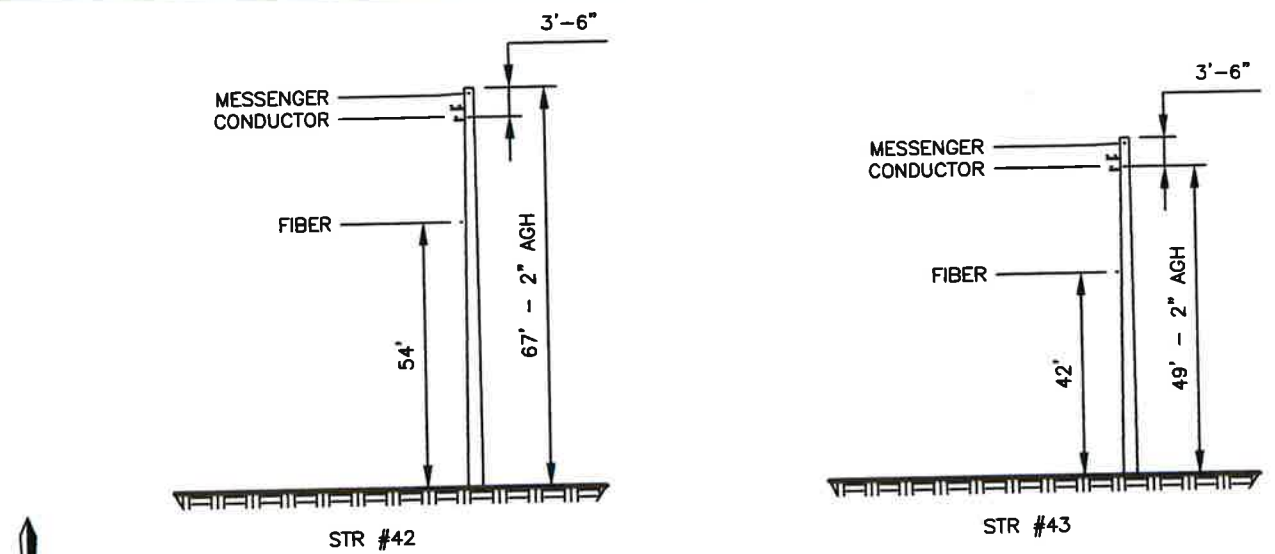
SCALE 1" = 1000'	FILE: 032844901.DWG IMAGE:
---------------------	-------------------------------

DRAWING NO.  
**032844901**





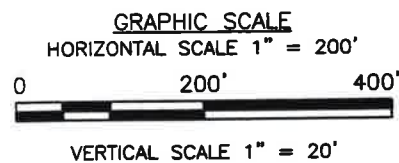
PROFILE VIEW



PLAN VIEW

NOTES:

- GROUND ELEVATION PROFILE DETERMINED USING INFORMATION FROM LIDAR SURVEY ON OCTOBER 23, 2017.
- VERTICAL DATUM IS NAVD88 IN FEET.
- ONLY LOWEST CONDUCTOR PHASE SHOWN FOR CLARITY.



PROFILE LEGEND:

- CONDUCTOR
- SHOWN AT 60°F
  - - - SHOWN AT 32°F, 1/2" ICE (MAX SAG)
- FIBER
- SHOWN AT 60°F
  - - - SHOWN AT 32°F, 1/2" ICE (MAX SAG)

PLAN LEGEND:

- ∅ PROPOSED STRUCTURE
- LINE 328
- - - MAJOR ROAD

DWG REV	EPN/DESCRIPTION	CONT/PE#	DATE	DRN	CHD	APPR
0	SUBMITTED FOR REVIEW		8/8/18	DCM	PHB	

EXHIBIT 2

CONDUCTOR 477 KCMIL AAC 19 STRAND W/0000127 AWA MESSENGER INSTALLED @ 11,120LBS NESC HEAVY INITIAL		T	0
FIBER ADSS - 24 FIBER OPS TYPE AT-Q8727D6-024-TNGE-18-6-62 INSTALLED @ 1,400LBS NESC HEAVY INITIAL			
<b>EVERSOURCE ENERGY</b>		DRAWN	DGM
		ENGINEER	PHB
328 34.5 kV LINE BETWEEN STR 42 AND 43 PISCATAQUOG RIVER, GOFFSTOWN, NH 2 OF 2		CHECKED	PHB
		APPROVED	
		DATE	7/18/18
SCALE AS SHOWN	FILE: 032844901.DWG	DRAWING NO.	032844901