







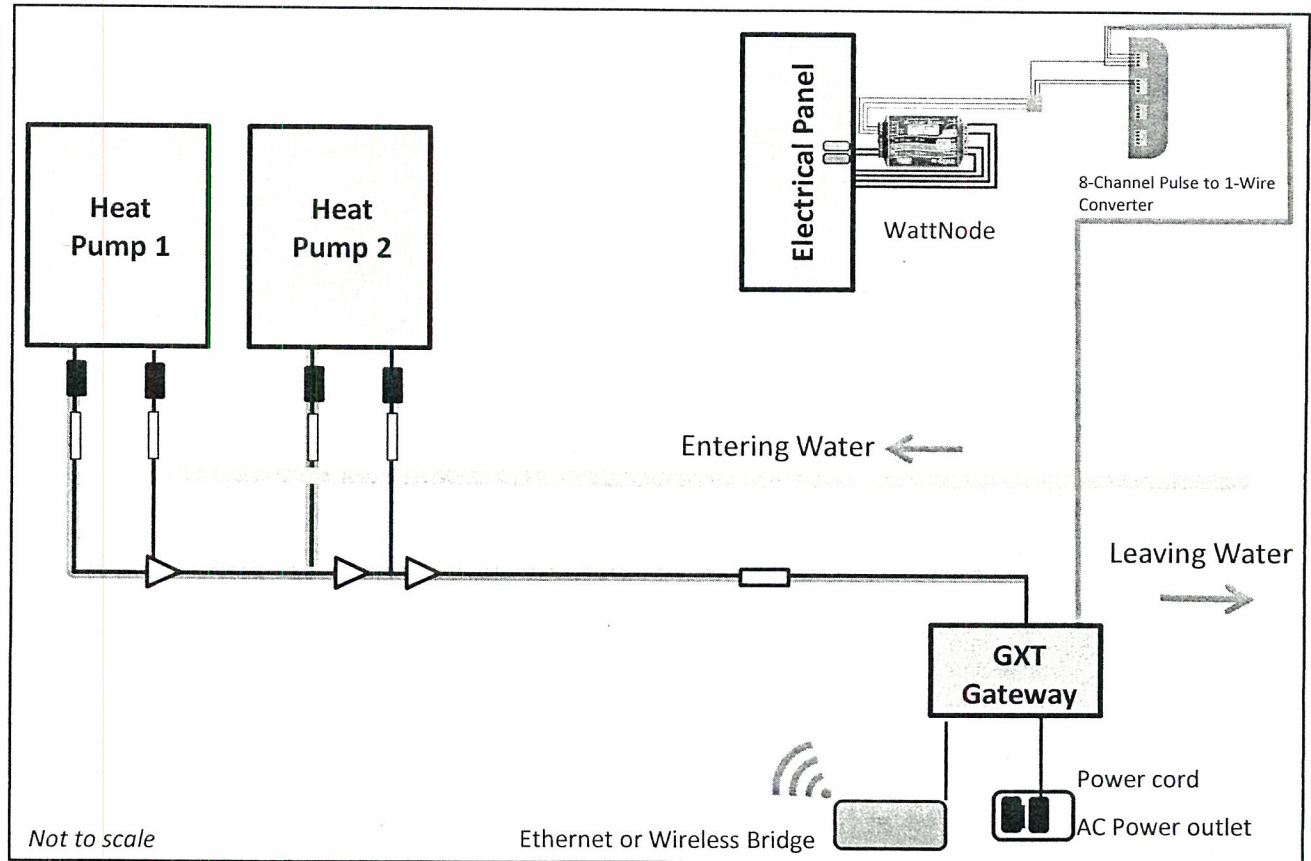
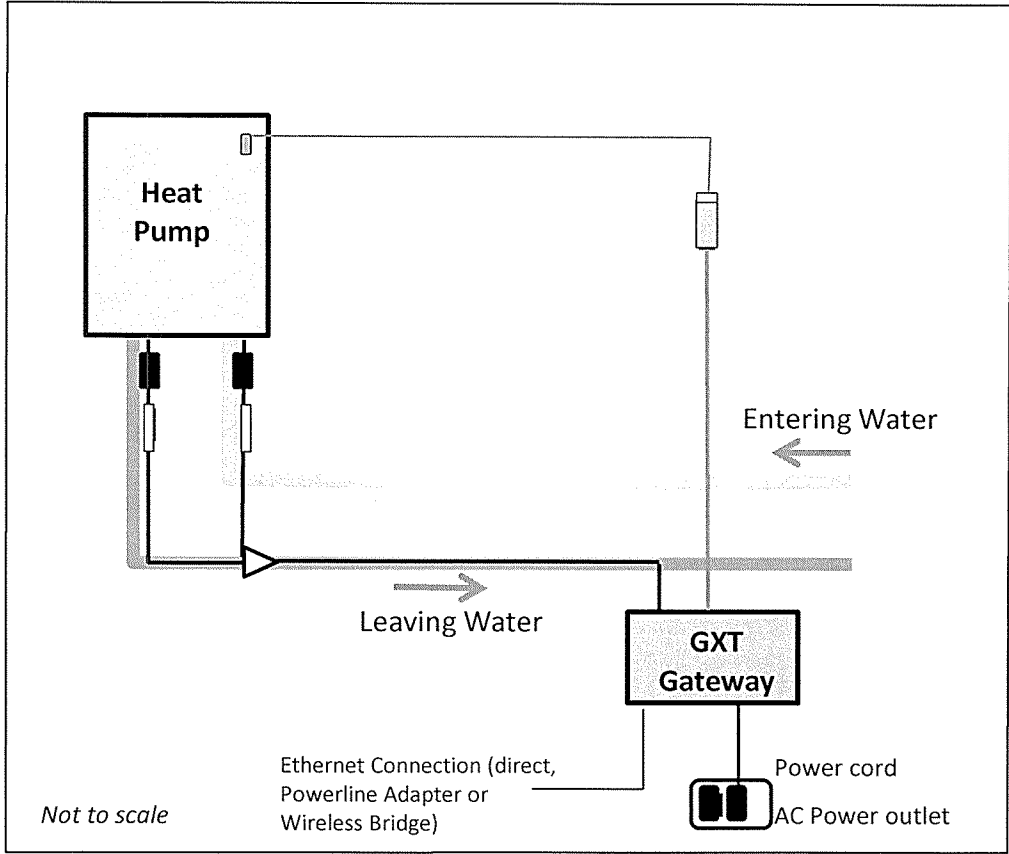
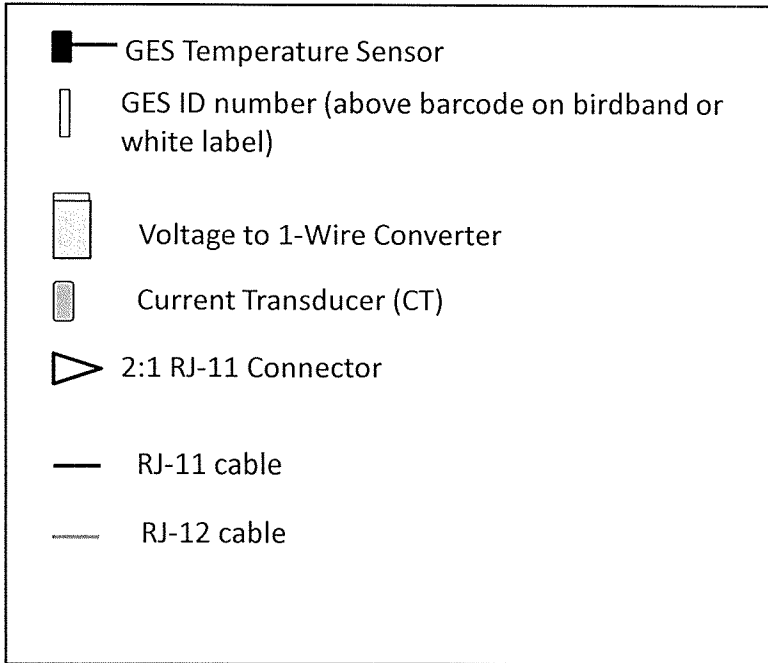


GXT-PowerPlus w/ Two Heat Pumps

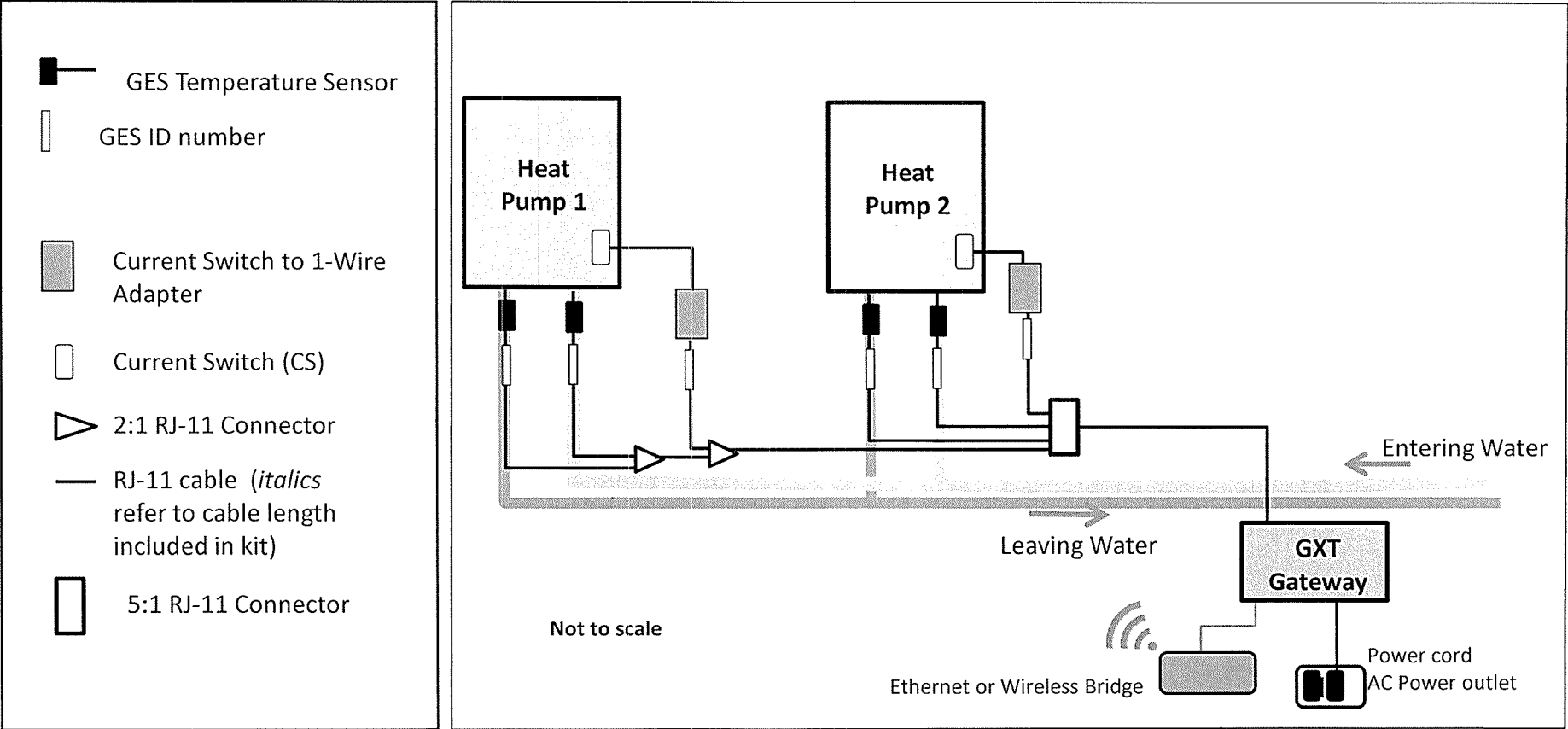
-  GES Temperature Sensor
-  GES ID number
-  8-Channel Pulse to 1-Wire Converter
-  Current Transformer (CT)
-  2:1 RJ-11 Connector
-  1:1 RJ-11 Connector
-  RJ-11 Cable
-  RJ-12 Cable





GXT-Power

GXT-Basic with 2 Heat Pumps





On-pipe Temperature Sensor

1-Wire[®] temperature sensor sold exclusively with the GxTracker[™] monitoring system

DESCRIPTION:

- ◆ Utilizes DS18B20 digital temperature sensor
- ◆ Parasite powered
- ◆ Encapsulation for durability and water resistance
- ◆ Low thermal mass, rapid response
- ◆ Bird-band with barcode and human-readable ID
- ◆ RJ-11 termination
- ◆ 6 ft. nominal lead of CAT3 Cable, 2 Pair/24 AWG
- ◆ Thermal pad for thermal connection with pipe
- ◆ Pin assignments (6-Position RJ-11):

Pin 3: Data

Pin 4: GRD

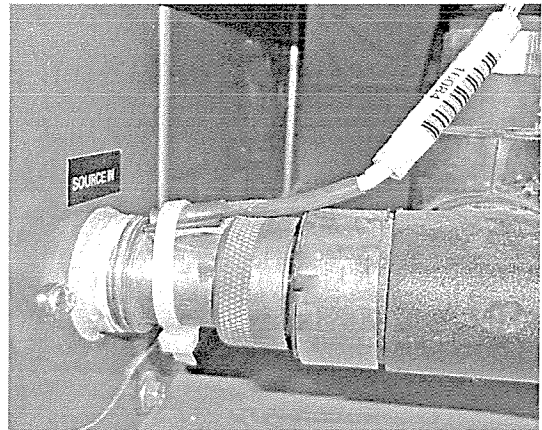
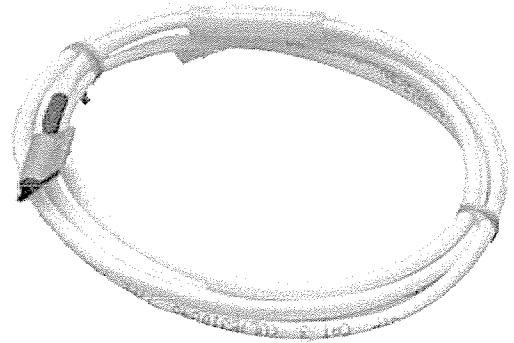
- ◆ Rapid Response
- ◆ Indoor use only

OPTIONS:

- ◆ Can be sold in matched pairs with $\Delta T < 0.10$ °C at standard conditions
- ◆ Custom lead lengths (2-12 ft) available

REQUIREMENTS:

- ◆ For best results, install on thin-walled metal pipes.



PARAMETER	SYMBOL	MIN	TYP	MAX	UNITS
Temperature Range	TR	- 10	-	+85	Degrees C
Accuracy (-10 to +85 Deg. C)	ACM	-0.5	-	+0.5	Degrees C
Resolution		9		12	BITS
Pull-up supply voltage	V _{PU}	+3.0		+5.5	Volts
Active Current (DS18B20)	I _{dd}		1000	1500	MicroAmps
Standby Current (DS18B20)	I _q		100	150	NanoAmps
Thermal time constant (installed)	τ_c	20	30	45	seconds
Housing length	HLength	18	20	22	Millimeters
Housing width	HWidth	12	15	18	Millimeters
Thermal Pad thickness	Pthick	3.0	3.2	3.3	Millimeters
Thermal Pad conductivity	K _{pad}	.8	1	1.2	W/m-K

1-Wire[®] is a registered trademark of Maxim